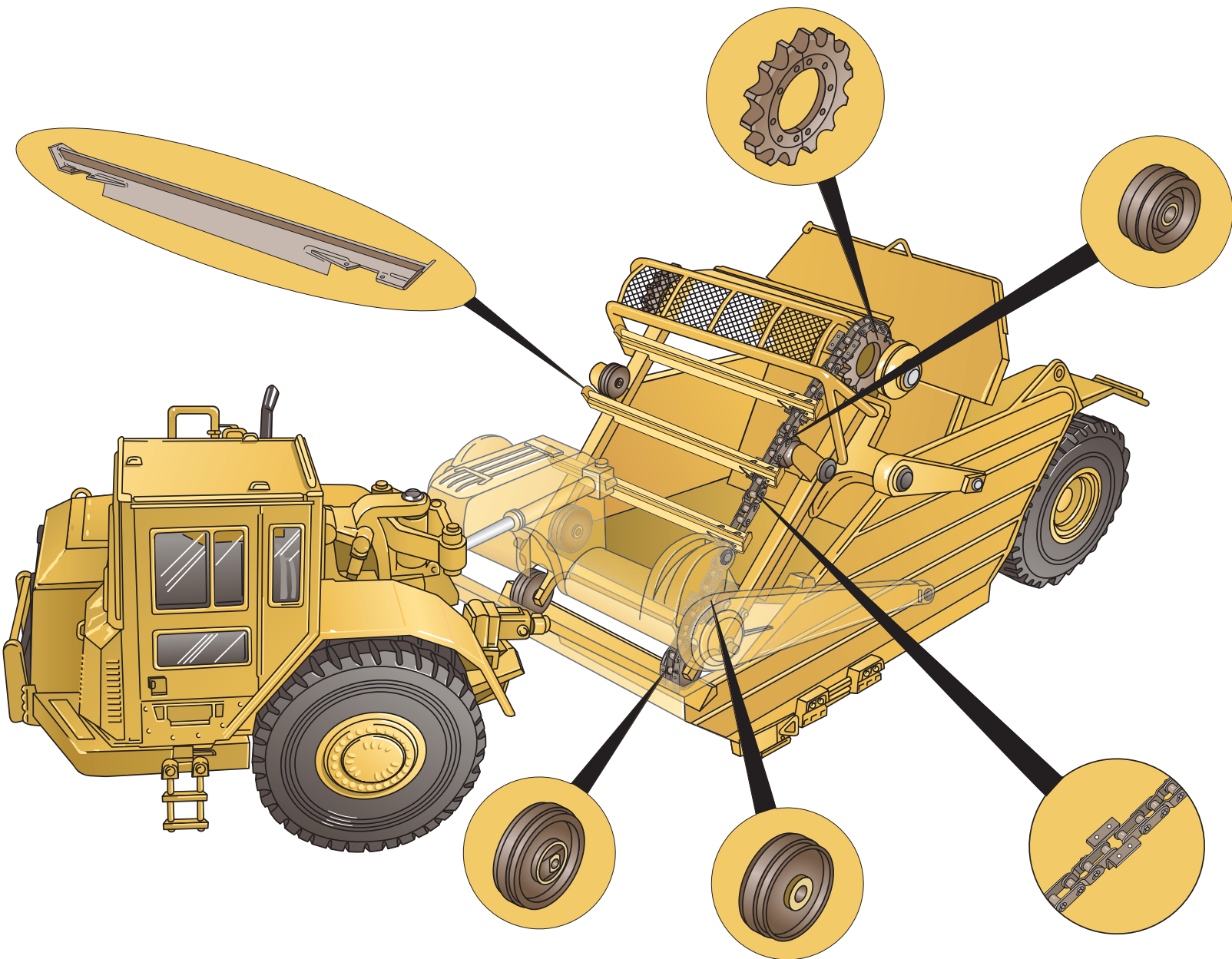


# Elevating/Non-Elevating Scraper Product Catalog



**BALLANTINE,**   
*Building The World's Infrastructure*  **INC.**



Anoka, Minnesota

Atlanta, Georgia

Ontario, California

Customer Service: 800/328-2424

www.ballantineinc.com

**FASTER SERVICE • BETTER QUALITY • LOWER PRICES!**

## **Replacement Parts:**

# **Scraper Product Catalog**

Effective June 1, 2008

### **Replacement Parts for Scrapers**

The replacement parts listed are for Caterpillar®, John Deere®, Clark Michigan®, International Harvester®, Fiat Allis®, Wabco®, Terex®.

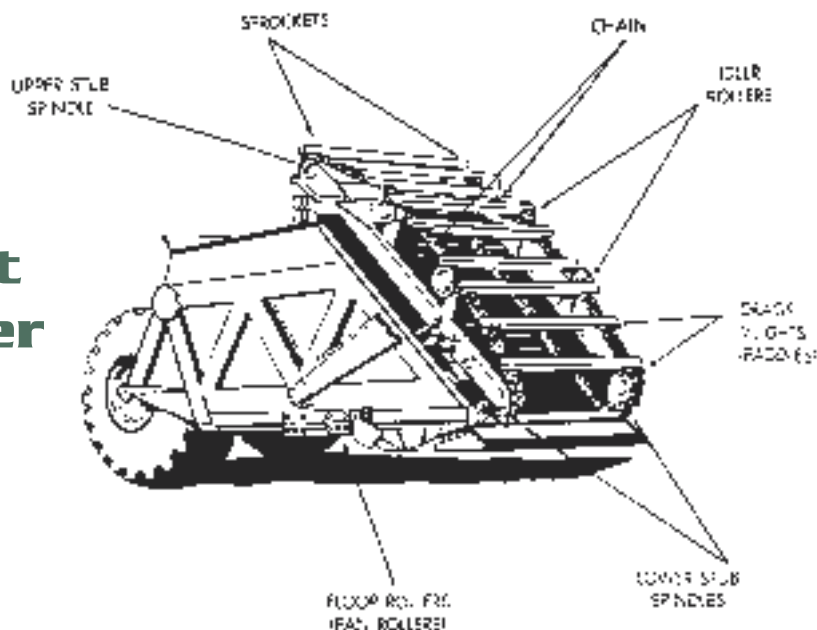
**ANOKA, MINNESOTA**  
840 McKinley Street  
Anoka, Minnesota 55303

**ONTARIO, CALIFORNIA**  
801 South Dupont, Suite G  
Ontario, California 91761

**ATLANTA, GEORGIA**  
675 Wesleyan Drive Southwest  
Atlanta, Georgia 30336

**Toll Free Customer Service: (800) 328-2424**  
**Fax: (763) 427-2277**  
**parts@ballantineinc.com**

## **Normal Placement of Elevating Scraper Components**



*All manufacturer's names, numbers, symbols and descriptions are used for reference purposes only, and it is not implied that any parts listed are the product of these manufacturers.*

# TABLE OF CONTENTS

## Caterpillar® Models - Elevating Scrapers

CAT® 613, 613B	Page 2
CAT® 613C, 613C II	Page 3
CAT® 613G	Page 4
CAT® 615	Page 5
CAT® 621	Page 6
CAT® 623, 623B	Page 7
CAT® 623E, 623F	Page 8
CAT® 623G	Page 9
CAT® 633, 633C, 633D, 633E, 639	Page 10

## John Deere® Models - Elevating Scrapers

John Deere® 760A, 762, 762B	Page 11
John Deere® 860, 860A, 860B, 862	Page 12

## Clark, Hancock 294 Models - Elevating Scrapers

Clark 110-HT, 110-HTB, Hancock 294	Page 13
Clark 210-H	Page 14
Clark 210-HB	Page 15
Clark Michigan 110, 310H	Page 16

## Hancock Models - Elevating Scrapers

Hancock 4R2, 5N, 8N, HF6, 7E2, 7E4, 8E2FWD, 8E2MRS, 10E2, 11E4	Page 17
Hancock 12E, 14E, 218E, 222, 223, 224, 292, 294	Page 18

## International Harvester Models - Elevating Scrapers

IH E-200 (Early Series)	Page 19
IH E-200 (Late Series), E-211, 412B	Page 20
IH E270, E295, E442, E444	Page 21

## Fiat Allis Models - Elevating Scrapers

Fiat Allis AC160, 161, AC260, 260E, 260E-A	Page 22
Fiat Allis 261, 261B, 263B	Page 23

## Wabco Models - Elevating Scrapers

Wabco 101F	Page 24
Wabco 101G	Page 25
Wabco 111A	Page 26
Wabco 222, 222A	Page 27
Wabco 222F, 222F - SN CM14 & Above	Page 28
Wabco 222G, 222H	Page 29
Wabco 252, 333, 333A - SN BM 11 & Above, 333F, 333FT	Page 30

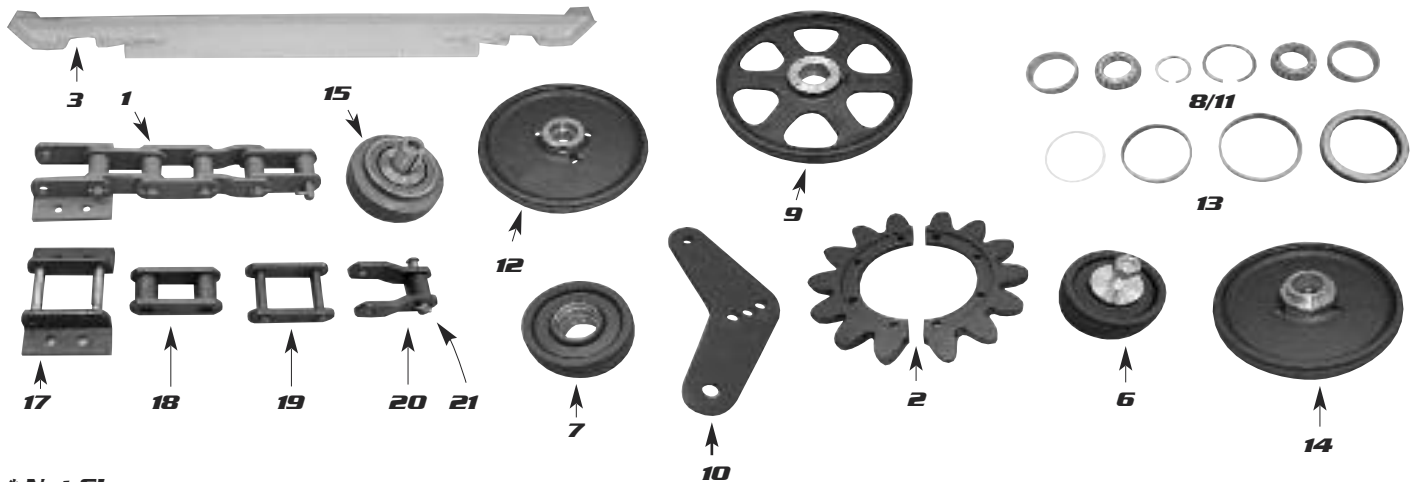
## Terex Models - Elevating Scrapers

Terex S11E	Page 31
Terex S23E	Page 32

## Caterpillar® Models - Ejector Rollers (Elevating/Non-Elevating)

Page 33

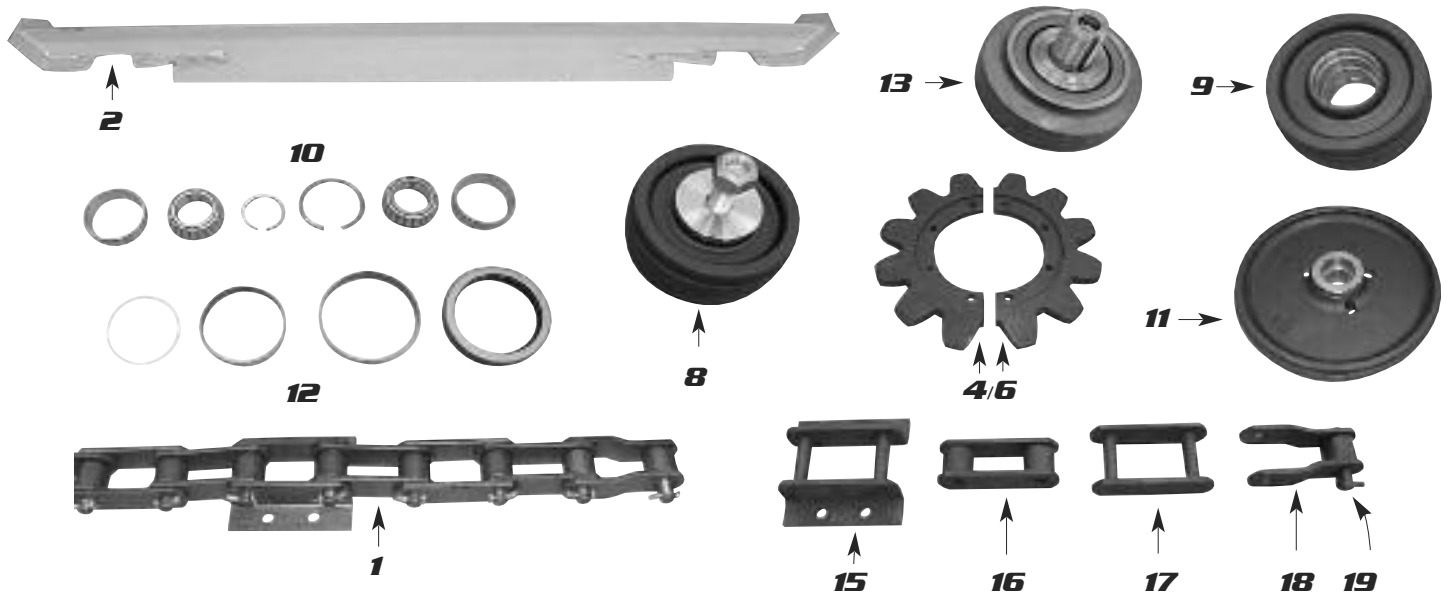
# REPLACEMENT PARTS FOR CATERPILLAR® 613, 613B



\* Not Shown

REF. #	DESCRIPTION	PART #	QUANTITY REQ.	NOTES
<b>1</b>	Chain Strand Heavy Duty	9J0115H	2	1 3/8 Roller 1 3/4 Side Bar
<b>2</b>	Sprocket	9J1653	2	
<b>3</b>	Flight	8J4174	16	
<b>4 *</b>	Flight Bolt Kit	55404	1	
<b>5 *</b>	Sprocket Bolt Kit	9J1653BK	1	
<b>6</b>	Top Idler Roller Complete without Arm	2T1112	2	Use Part# <b>2T3964</b>
<b>7</b>	Idler Roller Shell	8J7834	2	Use Part# <b>2T3963</b>
<b>8</b>	Idler Roller Bearing Kit	2T3963BRK	2	
<b>9</b>	Center Idler Roller	3G3782	2	Replaces 8J8170
<b>10</b>	Idler Arm Only	2T0255	2	
<b>11</b>	Idler Roller Bearing Kit	3G3782BRK	2	
<b>12</b>	Bottom Tail Roller with 3J9133 & 9J0112 Bushing	9J0106A	2	Used on serial number 72M1768 and above
<b>13</b>	Sleeve Kit	9J0106SK	2	O-Ring, Outside Seal & 2 Sleeves
<b>14</b>	Bottom Tail Roller with Bushings (old style)	7J5790	2	Used on serial number 72M04268 and below
<b>15</b>	Floor Roller	6J1702	4	
<b>16 *</b>	Roller Kit	6J1702KIT	As Required	Includes: Jam Nut, Washer, Square Key
	<b>Chain Components</b>			
<b>17</b>	Attaching Link	9J0210	As Required	
<b>18</b>	Block Link	9J0213	As Required	
<b>19</b>	Connecting Link	9J0212	As Required	
<b>20</b>	Half Link	9J0211	As Required	
<b>21</b>	Pin Assembly w/Keeper	8J9845	As Required	
<b>22 *</b>	<b>Scraper Package</b>	613	1	Package Components
		55404	1	Flight Bolt Kit
		9J0115H	2	Chain Strand
		9J1653	2	Sprocket
		9J1653BK	1	Sprocket Bolt Kit
<b>23 *</b>	<b>Scraper Package</b>	613B	1	Package Components
		55404	1	Flight Bolt Kit
		9J0115H	2	Chain Strand
		9J1653	2	Sprocket
		9J1653BK	1	Sprocket Bolt Kit

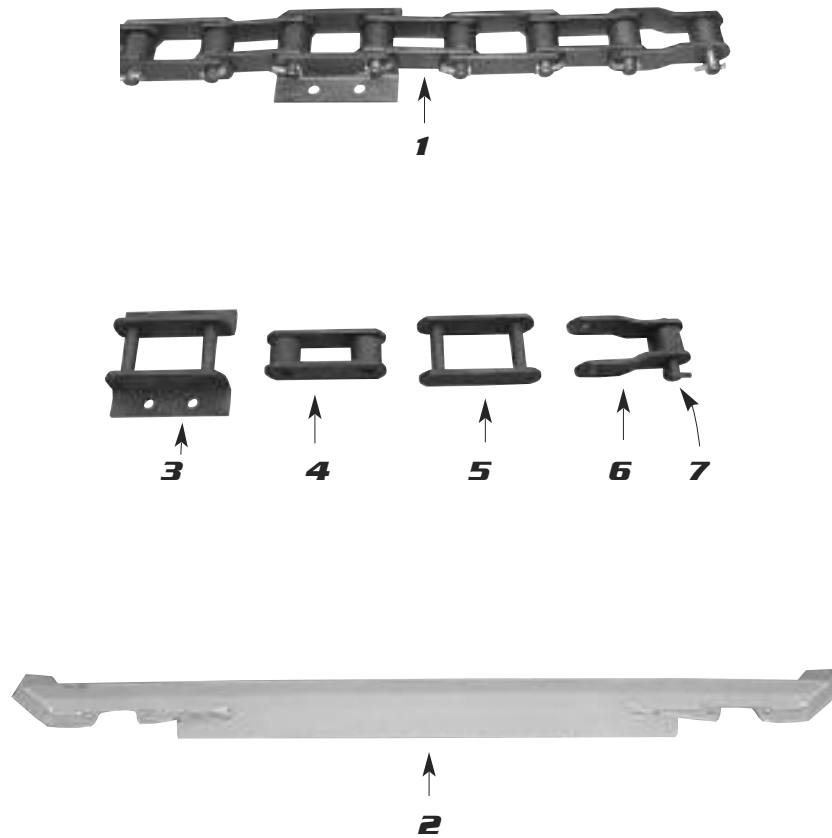
# REPLACEMENT PARTS FOR CATERPILLAR® 613C, 613CII



**\* Not Shown**

REF. #	DESCRIPTION	PART #	QUANTITY REQ.	NOTES
<b>1</b>	Chain Strand	2T0104	2	
<b>2</b>	Flight	2T0679	15	
<b>3 *</b>	Flight Bolt Kit	55403	1	
<b>4</b>	Sprocket 1/2" Bolt Hole	2T0704	2	
<b>5 *</b>	Sprocket Bolt Kit	2T0704BK	1	
<b>6</b>	Sprocket 5/8" Bolt Hole	2T2623	2	
<b>7 *</b>	Sprocket Bolt Kit	2T2623BK	1	
<b>8</b>	Top Idler Roller	2T1112	2	Use Part# <b>2T3964</b>
<b>9</b>	Idler Roller Shell	8J7834	2	Use Part# <b>2T3963</b>
<b>10</b>	Idler Roller Bearing Kit	8J7834BK	2	Use Part# <b>2T3963BRK</b>
<b>11</b>	Bottom Tail Roller with 3J9133 & 9J0112 Bushing	9J0106A	2	
<b>12</b>	Sleeve Kit	9J0106SK	2	O-Ring, Outside Seal & 2 Sleeves
<b>13</b>	Floor Roller	6J1702	4	
<b>14 *</b>	Roller Kit	6J1702KIT	As Required	Includes: Jam Nut, Washer, Square Key
<b>Chain Components</b>				
<b>15</b>	Attaching Link	2T1136	As Required	
<b>16</b>	Block Link	2T1134	As Required	
<b>17</b>	Connecting Link	2T1133	As Required	
<b>18</b>	Half Link	2T1135	As Required	
<b>19</b>	Pin Assembly w/Keeper	2T1138	As Required	
<b>20 *</b>	<b>Scraper Package</b>	613C12	1	Package Components
		55403	1	Flight Bolt Kit
		2T0104	2	Chain Strand
		2T0704	2	Sprocket
		2T0704BK	1	Sprocket Bolt Kit
<b>21 *</b>	<b>Scraper Package</b>	613C58	1	Package Components
		55403	1	Flight Bolt Kit
		2T0104	2	Chain Strand
		2T2623	2	Sprocket
		2T2623BK	1	Sprocket Bolt Kit

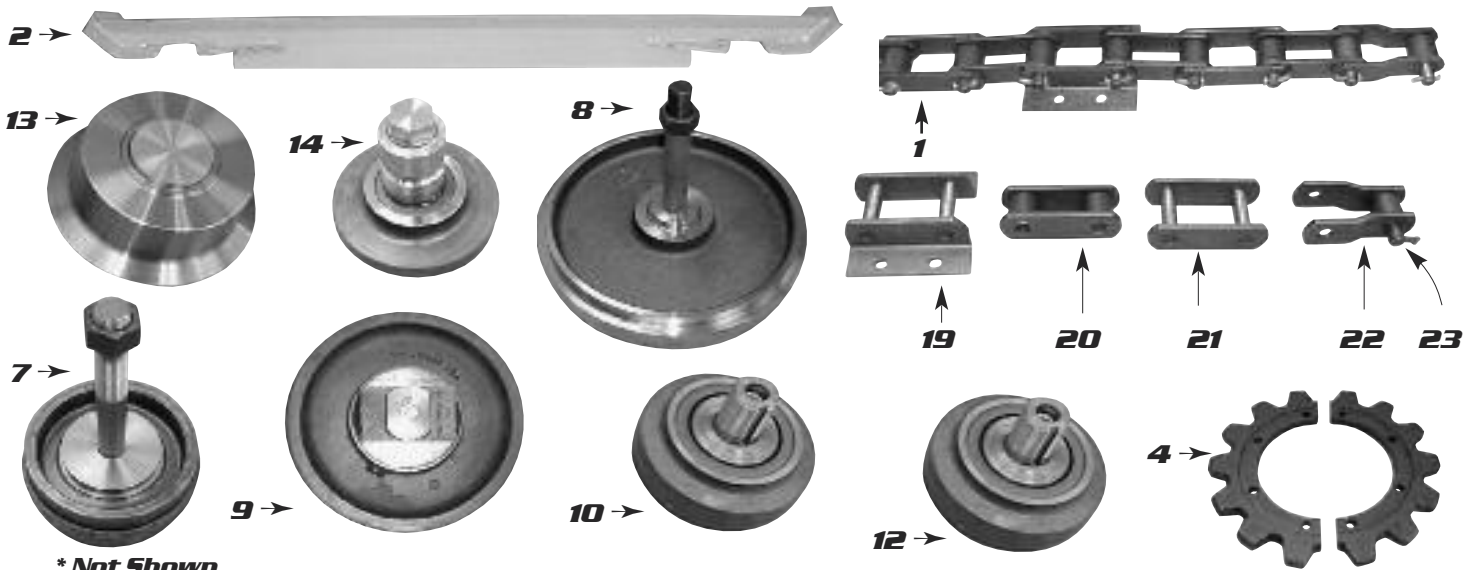
# REPLACEMENT PARTS FOR CATERPILLAR® 613G



**\* Not Shown**

REF. #	DESCRIPTION	PART #	QUANTITY REQ.	NOTES
<b>1</b>	Chain Strand	2T0104A	2	Verify Length
<b>2</b>	Flight	2T0679	15	
<b>Chain Components</b>				
<b>3</b>	Attaching Link	2T1136	As Required	
<b>4</b>	Block Link	2T1134	As Required	
<b>5</b>	Connecting Link	2T1133	As Required	
<b>6</b>	Half Link	2T1135	As Required	
<b>7</b>	Pin Assembly w/Keeper	2T1138	As Required	

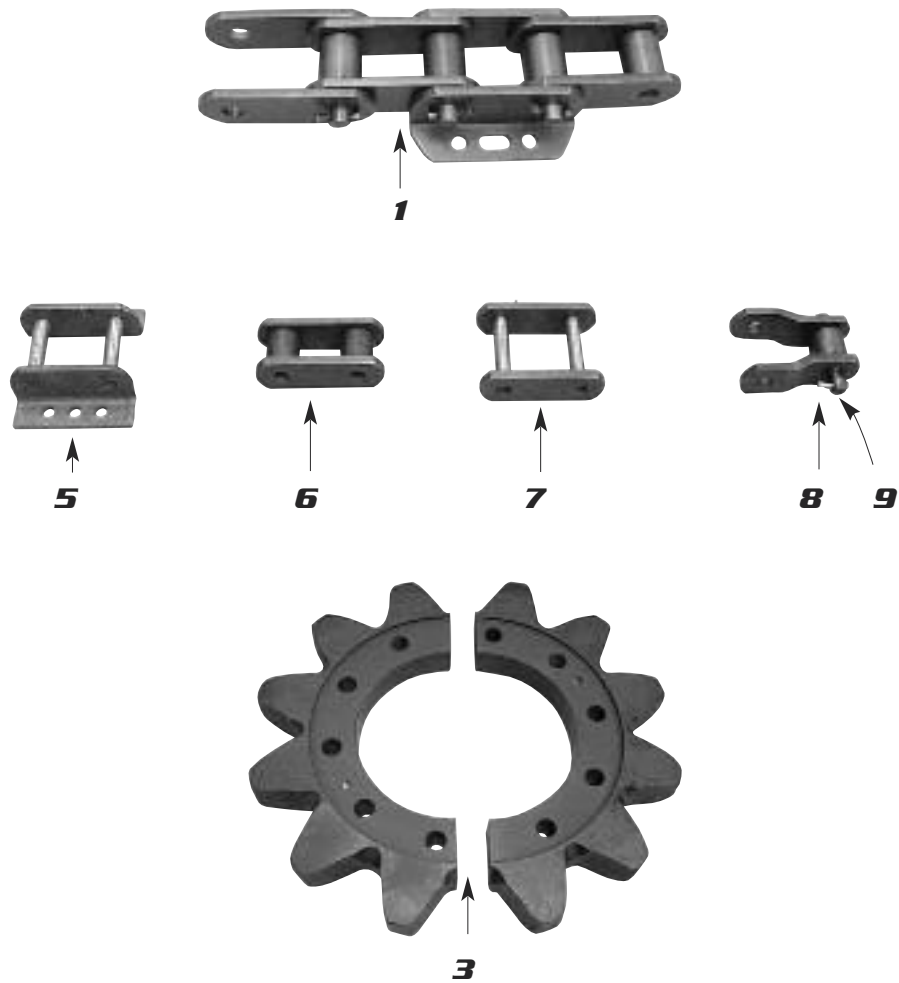
# REPLACEMENT PARTS FOR CATERPILLAR® 615



\* Not Shown

REF. #	DESCRIPTION	PART #	QUANTITY REQ.	NOTES
<b>1</b>	Chain Strand	2T0072	2	
<b>2</b>	Flight	2T3893	18	Replaces 2T0012
<b>3 *</b>	Flight Bolt Kit	55435	1	
<b>4</b>	Sprocket	2T0249	2	
<b>5 *</b>	Sprocket Bolt Kit	2T0249BK	1	
<b>6 *</b>	Sprocket - Heavy-Duty Chain	2T2259	2	HD Chain - 3G5327
<b>7</b>	Top Idler Roller	2T0046	2	
<b>8</b>	Intermediate Idler Roller	2T0047	2	
<b>9</b>	Bottom Tail Roller	2T0048	2	
<b>10</b>	Floor Roller	6J1702	4	
<b>11 *</b>	Roller Kit	6J1702KIT	As Required	Includes: Jam Nut, Washer, Square Key
<b>12</b>	Back Ejector Roller	9J7350	1	
<b>13</b>	Top Ejector Roller Shell w/Bushing	5F8001	2	
<b>14</b>	Bottom Ejector Roller	6J9224	2	
<b>15 *</b>	End Blade	7T5105	2	
<b>16 *</b>	Chain Strand - Heavy-Duty	3G5327	2	
<b>17 *</b>	Right Guide	8J7210	2	
<b>18 *</b>	Left Guide	8J7211	2	
<b>Chain Components</b>				
<b>19</b>	Attaching Link	2T0073	As Required	
<b>20</b>	Block Link	2T0075	As Required	
<b>21</b>	Connecting Link	2T0290	As Required	
<b>22</b>	Half Link	2T0076	As Required	
<b>23</b>	Pin Assembly w/Keeper	2T1609	As Required	
<b>24 *</b>	<b>Scraper Package</b>	615	1	Package Components
		55435	1	Flight Bolt Kit
		2T0072	2	Chain Strand
		2T0249	2	Sprocket
		2T0249BK	1	Sprocket Bolt Kit
<b>25 *</b>	<b>Scraper Package</b>	615H	1	Package Components
		55435	1	Flight Bolt Kit
		3G5327	2	Chain Strand
		2T2259	2	Sprocket
		2T0249BK	1	Sprocket Bolt Kit

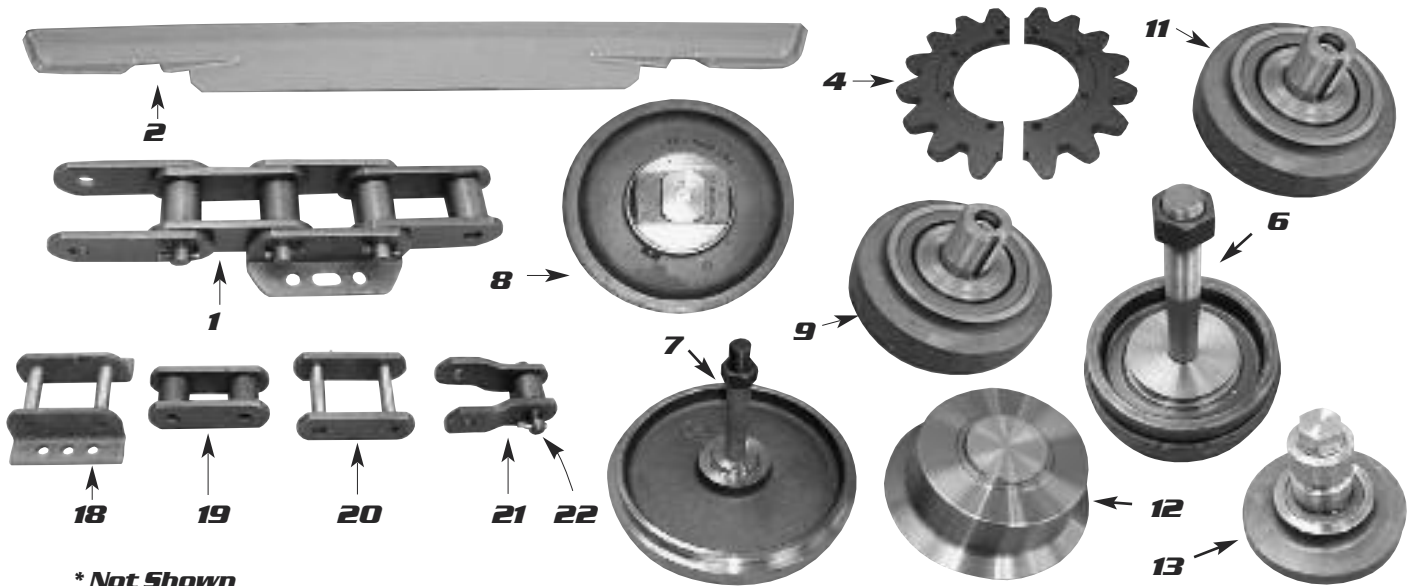
# REPLACEMENT PARTS FOR CATERPILLAR® 621



**\* Not Shown**

REF. #	DESCRIPTION	PART #	QUANTITY REQ.	NOTES
<b>1</b>	Chain Strand	3G5327	2	Replaces 6J5602
<b>2 *</b>	Flight Bolt Kit	55435	1	
<b>3</b>	Sprocket	6J5070	2	
<b>4 *</b>	Sprocket Bolt Kit	8J6544BK	1	
<b>Chain Components</b>				
<b>5</b>	Attaching Link	8J7672	As Required	
<b>6</b>	Block Link	8J7674	As Required	
<b>7</b>	Connecting Link	8J7675	As Required	
<b>8</b>	Half Link	3G3393	As Required	
<b>9</b>	Pin Assembly w/Keeper	8J7791	As Required	
<b>10 *</b>	<b>Scraper Package</b>	621	1	Package Components
		55435	1	Flight Bolt Kit
		3G5327	2	Chain Strand
		6J5070	2	Sprocket
		8J6544BK	1	Sprocket Bolt Kit

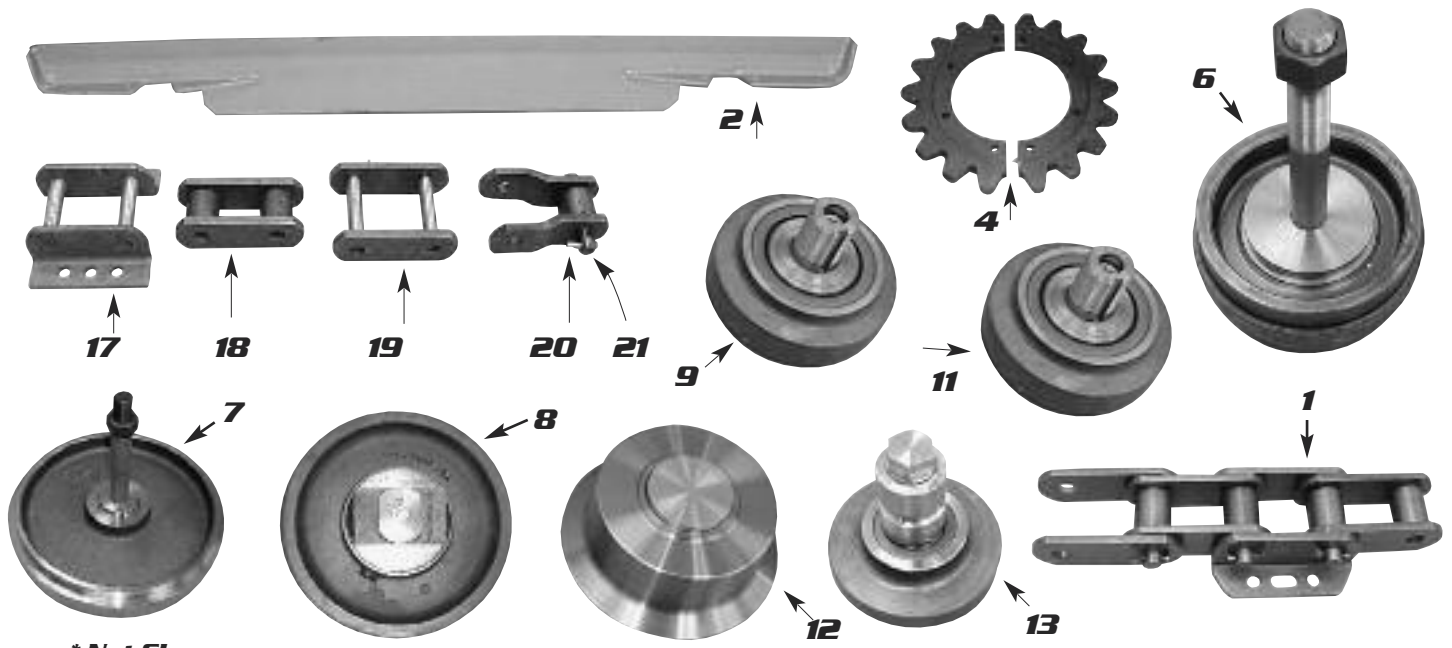
# REPLACEMENT PARTS FOR CATERPILLAR® 623, 623B



\* Not Shown

REF. #	DESCRIPTION	PART #	QUANTITY REQ.	NOTES
<b>1</b>	Chain Strand	3G3391	2	Replaces 8J6529
<b>2</b>	Flight	2T3883	15	Replaces 8J7122
<b>3 *</b>	Flight Bolt Kit	55434	1	
<b>4</b>	Sprocket	8J6544	2	
<b>5 *</b>	Sprocket Bolt Kit	8J6544BK	1	
<b>6</b>	Top Idler Roller Complete	3G7490	2	Use Part# <b>2T0046</b>
<b>7</b>	Intermediate Idler Roller	3G1086	2	
<b>8</b>	Bottom Tail Roller	8J6562	2	
<b>9</b>	Floor Roller	6J1702	8	
<b>10 *</b>	Roller Kit	6J1702KIT	As Required	Includes: Jam Nut, Washer, Square Key
<b>11</b>	Back Ejector Roller	9J7350	1	
<b>12</b>	Top Ejector Roller Shell w/Bushing	5F8001	2	
<b>13</b>	Bottom Ejector Roller	6J9224	2	
<b>14 *</b>	Top Idler Short Shaft	8J6551	2	Use Part# <b>3G0960</b>
<b>15 *</b>	Right Guide	8J7210	2	
<b>16 *</b>	Left Guide	8J7211	2	
<b>17 *</b>	Floor Bracket	3G7872	4	
	<b>Chain Components</b>			
<b>18</b>	Attaching Link	8J7672	As Required	
<b>19</b>	Block Link	8J7674	As Required	
<b>20</b>	Connecting Link	8J7675	As Required	
<b>21</b>	Half Link	3G3393	As Required	
<b>22</b>	Pin Assembly w/Keeper	8J7791	As Required	
<b>23 *</b>	<b>Scraper Package</b>	623	1	Package Components
		55434	1	Flight Bolt Kit
		3G3391	2	Chain Strand
		8J6544	2	Sprocket
		8J6544BK	1	Sprocket Bolt Kit
<b>24 *</b>	<b>Scraper Package</b>	623B	1	Package Components
		55434	1	Flight Bolt Kit
		3G3391	2	Chain Strand
		8J6544	2	Sprocket
		8J6544BK	1	Sprocket Bolt Kit

# REPLACEMENT PARTS FOR CATERPILLAR® 623E, 623F

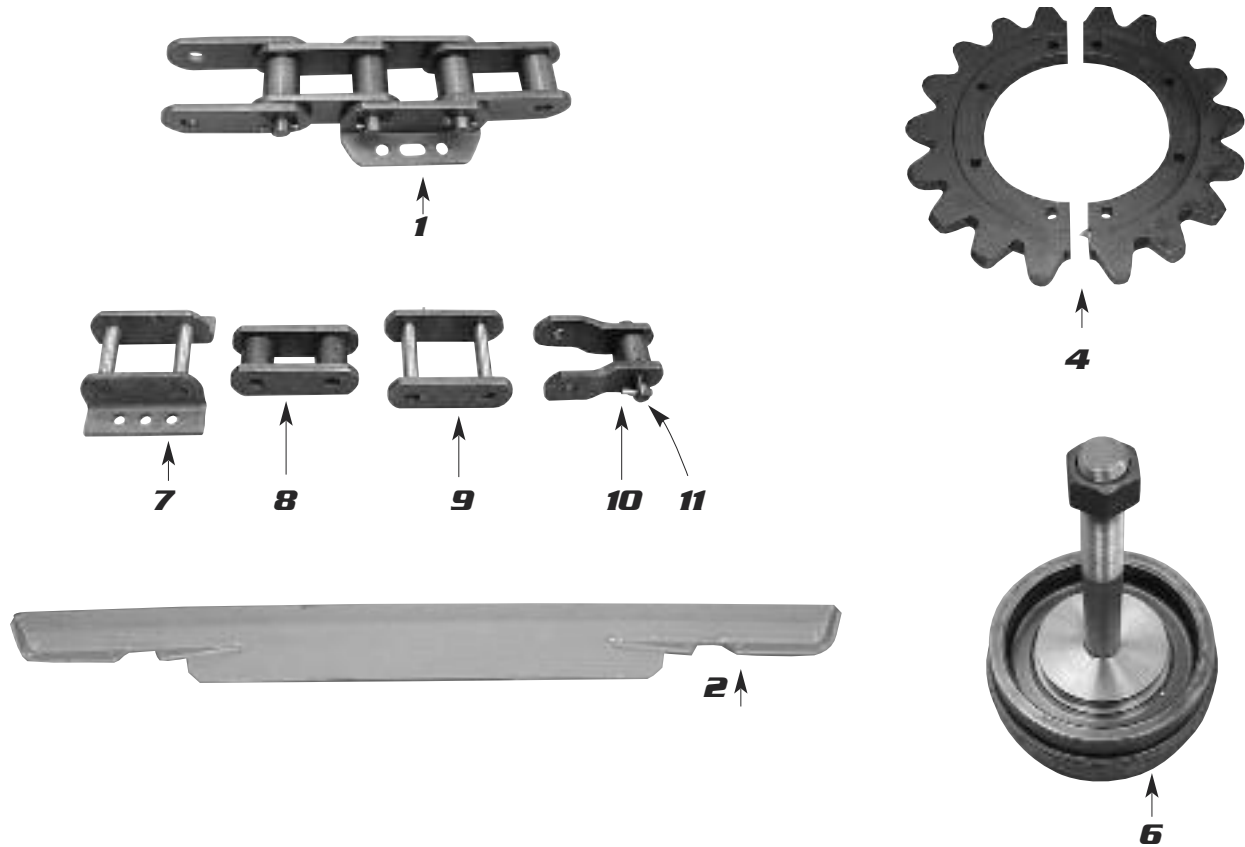


\* Not Shown

REF. #	DESCRIPTION	PART #	QUANTITY REQ.	NOTES
<b>1</b>	Chain Strand	2T3038	2	
<b>2</b>	Flight	2T3883	15	Replaces 2T3029
<b>3 *</b>	Flight Bolt Kit	55434	1	
<b>4</b>	Sprocket	2T2891	2	
<b>5 *</b>	Sprocket Bolt Kit	2T2891BK	1	
<b>6</b>	Top Idler Roller Complete	3G7490	2	Use Part# <b>2T0046</b>
<b>7</b>	Intermediate Idler Roller	3G1086	2	
<b>8</b>	Bottom Tail Roller	8J6562	2	
<b>9</b>	Floor Roller	6J1702	8	
<b>10 *</b>	Roller Kit	6J1702KIT	As Required	Includes: Jam Nut, Washer, Square Key
<b>11</b>	Back Ejector Roller	9J7350	1	
<b>12</b>	Top Ejector Roller Shell w/Bushing	5F8001	2	
<b>13</b>	Bottom Ejector Roller	6J9224	2	
<b>14 *</b>	Top Idler Short Shaft	8J6551	2	Use Part# <b>3G0960</b>
<b>15 *</b>	Right Guide	8J7210	2	
<b>16 *</b>	Left Guide	8J7211	2	
<b>Chain Components</b>				
<b>17</b>	Attaching Link	8J7672	As Required	
<b>18</b>	Block Link	8J7674	As Required	
<b>19</b>	Connecting Link	8J7675	As Required	
<b>20</b>	Half Link	3G3393	As Required	
<b>21</b>	Pin Assembly w/Keeper	8J7791	As Required	
<b>22 *</b>	<b>Scraper Package</b>	623E	1	Package Components
		55434	1	Flight Bolt Kit
		2T3038	2	Chain Strand
		2T2891	2	Sprocket
		2T2891BK	1	Sprocket Bolt Kit

**Note:** 623E w/serial numbers 6YF & above are also known as Super E models.  
623E w/serial numbers 6CB & 6DB use 623B parts.

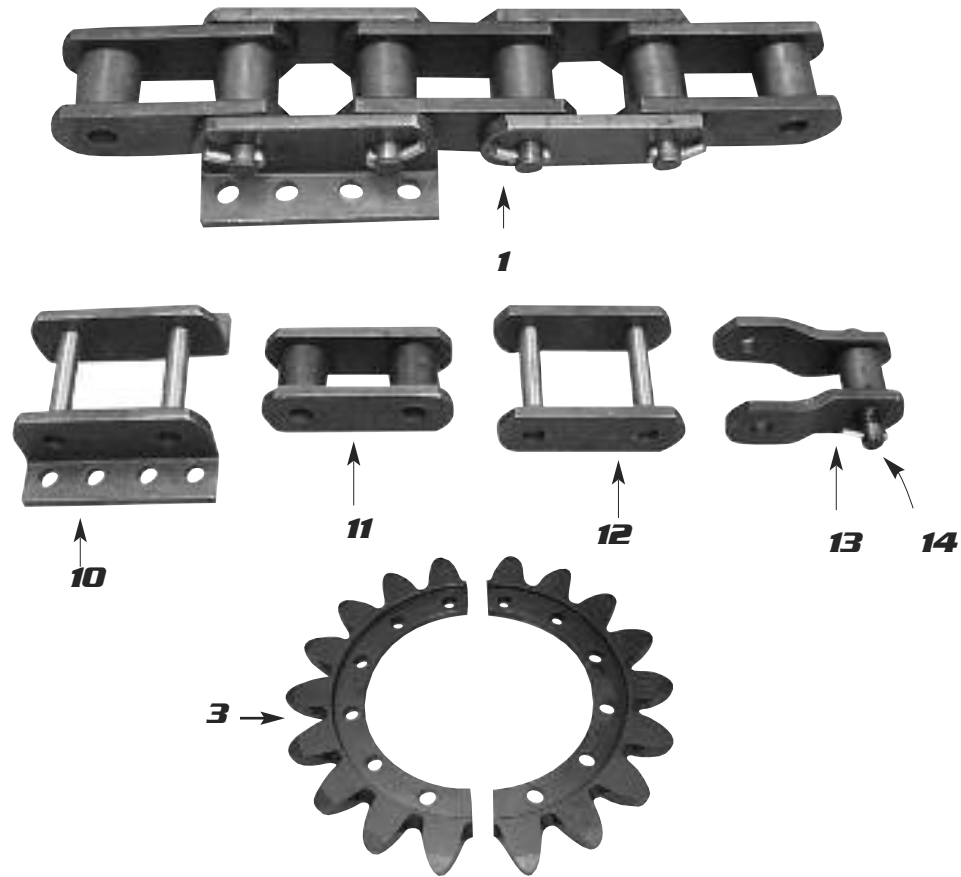
# REPLACEMENT PARTS FOR CATERPILLAR® 623G



**\* Not Shown**

REF. #	DESCRIPTION	PART #	QUANTITY REQ.	NOTES
<b>1</b>	Chain Strand	2T3038	2	
<b>2</b>	Flight	2T3883	15	Replaces 2T3029
<b>3 *</b>	Flight Bolt Kit	55434	1	
<b>4</b>	Sprocket	2T2891	2	
<b>5 *</b>	Sprocket Bolt Kit	2T2891BK	1	
<b>6</b>	Top Idler Roller Complete	3G7490	2	Use Part# <b>2T0046</b>
<b>Chain Components</b>				
<b>7</b>	Attaching Link	8J7672	As Required	
<b>8</b>	Block Link	8J7674	As Required	
<b>9</b>	Connecting Link	8J7675	As Required	
<b>10</b>	Half Link	3G3393	As Required	
<b>11</b>	Pin Assembly w/Keeper	8J7791	As Required	
<b>12 *</b>	<b>Scraper Package</b>	<b>623G</b>	<b>1</b>	<b>Package Components</b>
		55434	1	Flight Bolt Kit
		2T3038	2	Chain Strand
		2T2891	2	Sprocket
		2T2891BK	1	Sprocket Bolt Kit

# REPLACEMENT PARTS FOR CATERPILLAR® 633, 633C, 633D, 633E, 639

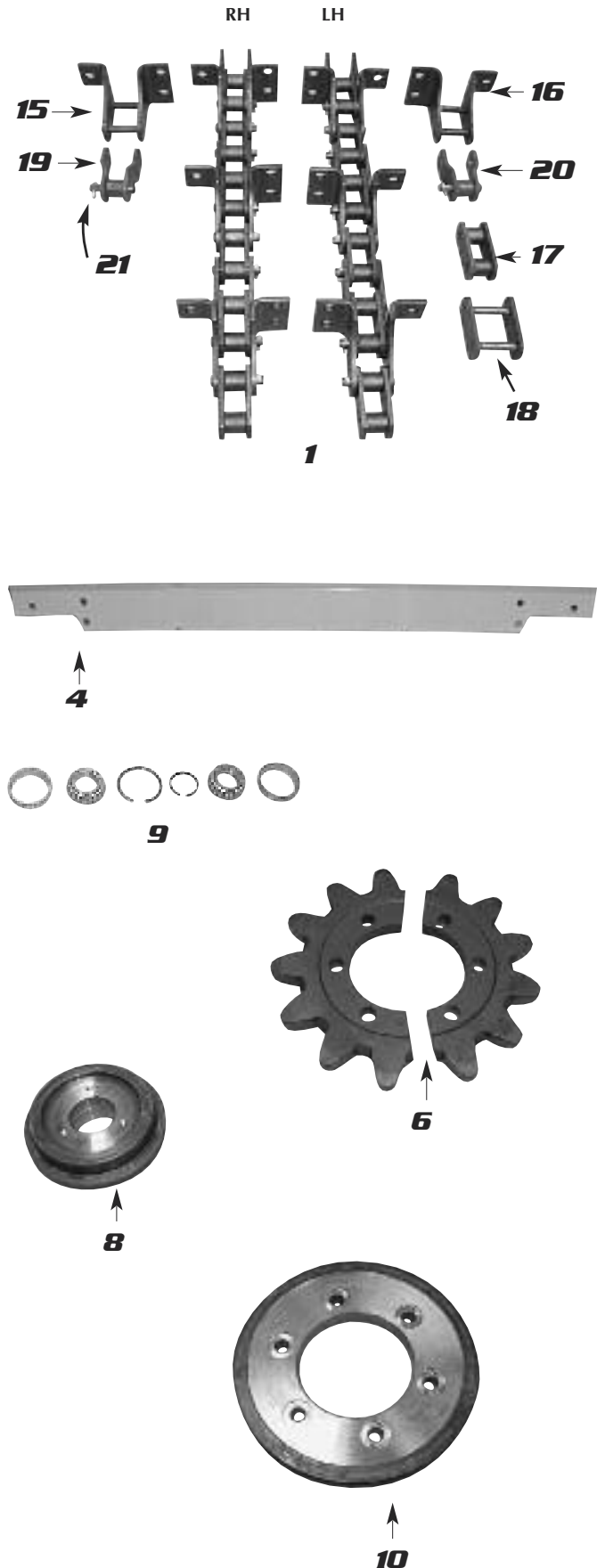


**\* Not Shown**

REF. #	DESCRIPTION	PART #	QUANTITY REQ.	NOTES
<b>1</b>	Chain Strand	8J3059	2	Replaces 5J9427
<b>2 *</b>	Chain Strand	9J9920	2	MTO Product
<b>3</b>	Sprocket	7J9382	2	Replaces 5J9253
<b>4 *</b>	Flight Bolt Kit	55633	1	
<b>5 *</b>	Sprocket Bolt Kit	7J9382BK	1	
<b>6 *</b>	Idler Roller	7J1184A	6	
<b>7 *</b>	Bottom Tail Roller	9J1035	2	
<b>8 *</b>	Flight for 633C	8J3058	13	
<b>9 *</b>	Chain Strand for 633E Only	2T3762	2	
	<b>Chain Components</b>			
<b>10</b>	Attaching Link	94563	As Required	
<b>11</b>	Block Link	8J3221	As Required	
<b>12</b>	Connecting Link	94562	As Required	
<b>13</b>	Half Link	94566	As Required	
<b>14</b>	Pin Assembly w/Keeper	8J3217	As Required	
<b>15 *</b>	<b>Scraper Package</b>	633	1	Package Components
		55633	1	Flight Bolt Kit
		8J3059	2	Chain Strand
		7J9382	2	Sprocket
		7J9382BK	1	Sprocket Bolt Kit

# REPLACEMENT PARTS FOR JOHN DEERE® 760A, 762, 762B

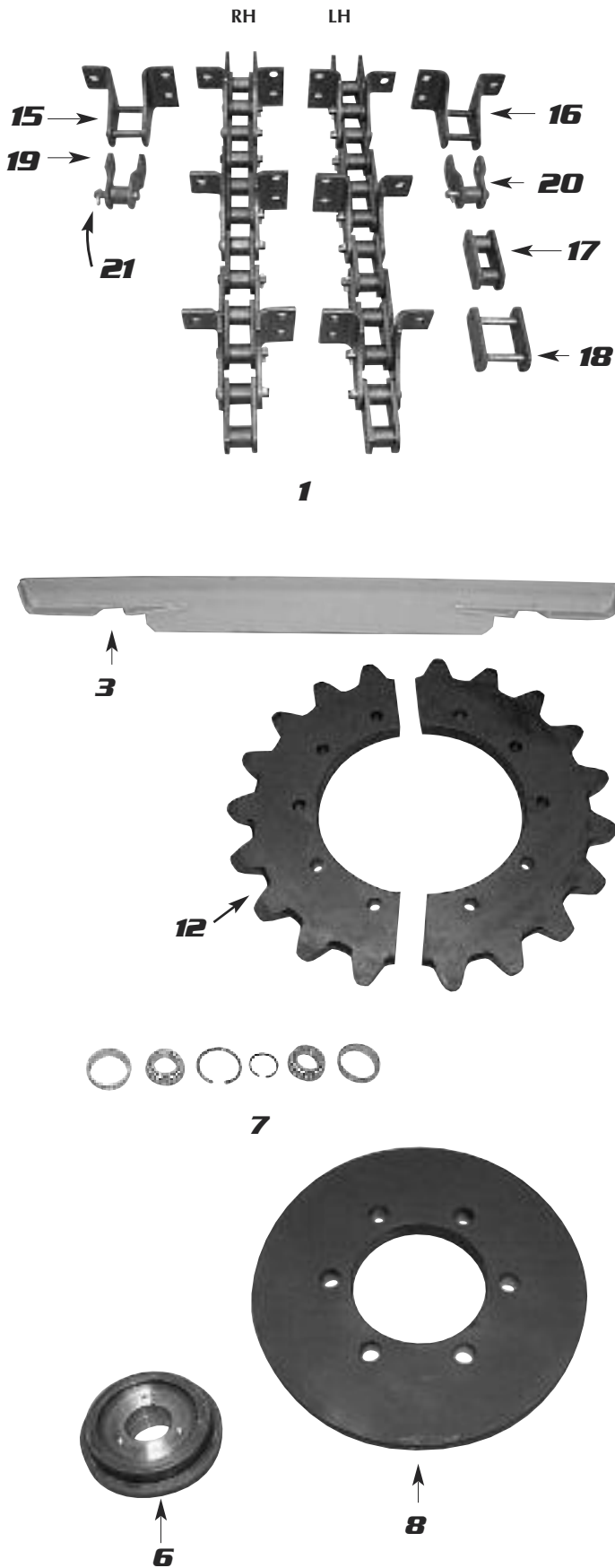
REF. #	DESCRIPTION	PART #	QUANTITY REQ.	NOTES
<b>1</b>	Chain Set Standard	AT32519	1	Replaces AU42979
<b>2*</b>	Chain Set <b>Heavy Duty</b>	AT32519H	1	<b>Heavy Duty</b>
<b>3*</b>	Chain Set <b>Sealed-Joint</b>	AT111963	1	<b>Sealed-Joint</b>
<b>4</b>	Flight	AT163225	18	Replaces AT51749
<b>5*</b>	Flight Bolt Kit	55445	1	
<b>6</b>	Sprocket 5" Bore	T135637	1	
<b>7*</b>	Sprocket Bolt Kit	T73151BK	1	
<b>8</b>	Idler Roller Shell	T58511	2	
<b>9</b>	Idler Roller Bearing Kit	T58511BRK	2	
<b>10</b>	Idler Flange	T73150	2	
<b>11*</b>	Flange Bolt Kit	T73150BK	2	
<b>12*</b>	Router R/S	U16420	1	
<b>13*</b>	Router L/S	U16421	1	
<b>14*</b>	Roller Kit	6J1702KIT	As Required	Includes: Jam Nut, Washer, Square Key
<b>Chain Components (Standard)</b>				
<b>15</b>	Attaching Link RH	94-216	As Required	
<b>16</b>	Attaching Link LH	94-217	As Required	
<b>17</b>	Block Link	AT32576	As Required	
<b>18</b>	Connecting Link	AT36770	As Required	
<b>19</b>	Half Link RH	AT32577	As Required	
<b>20</b>	Half Link LH	AT32579	As Required	
<b>21</b>	Pin Assembly w/Keeper	U16515	As Required	
<b>Chain Components (Heavy Duty)</b>				
<b>22*</b>	Attaching Link RH	94-452	As Required	
<b>23*</b>	Attaching Link LH	94-453	As Required	
<b>24*</b>	Block Link	AT38947	As Required	
<b>25*</b>	Connecting Link	AT38950	As Required	
<b>26*</b>	Half Link RH	AT38948	As Required	
<b>27*</b>	Half Link LH	AT38949	As Required	
<b>28*</b>	Pin Assembly	T74063	As Required	
<b>29*</b>	<b>Scraper Package</b>	760A	1	Package Components
		55445	1	Flight Bolt Kit
		AT32519	1	Chain Set
		T73152	2	Sprocket
		T73151BK	1	Sprocket Bolt Kit
<b>30*</b>	<b>Scraper Package</b>	760AH	1	Package Components
		55445	1	Flight Bolt Kit
		AT32519H	1	Chain Set
		T73152	2	Sprocket
		T73151BK	1	Sprocket Bolt Kit
<b>31*</b>	<b>Scraper Package</b>	762	1	Package Components
		55445	1	Flight Bolt Kit
		AT32519	1	Chain Set
		T135637	2	Sprocket
		T73151BK	1	Sprocket Bolt Kit
<b>32*</b>	<b>Scraper Package</b>	762H	1	Package Components
		55445	1	Flight Bolt Kit
		AT32519H	1	Chain Set
		T135637	2	Sprocket
		T73151BK	1	Sprocket Bolt Kit
<b>33*</b>	<b>Scraper Package</b>	762SEAL	1	Package Components
		55445	1	Flight Bolt Kit
		AT111963	1	JD 762 Chain Set
		T135637	2	Sprocket
		T73151BK	1	Sprocket Bolt Kit



\* Not Shown

# REPLACEMENT PARTS FOR JOHN DEERE® 860, 860A, 860B, 862

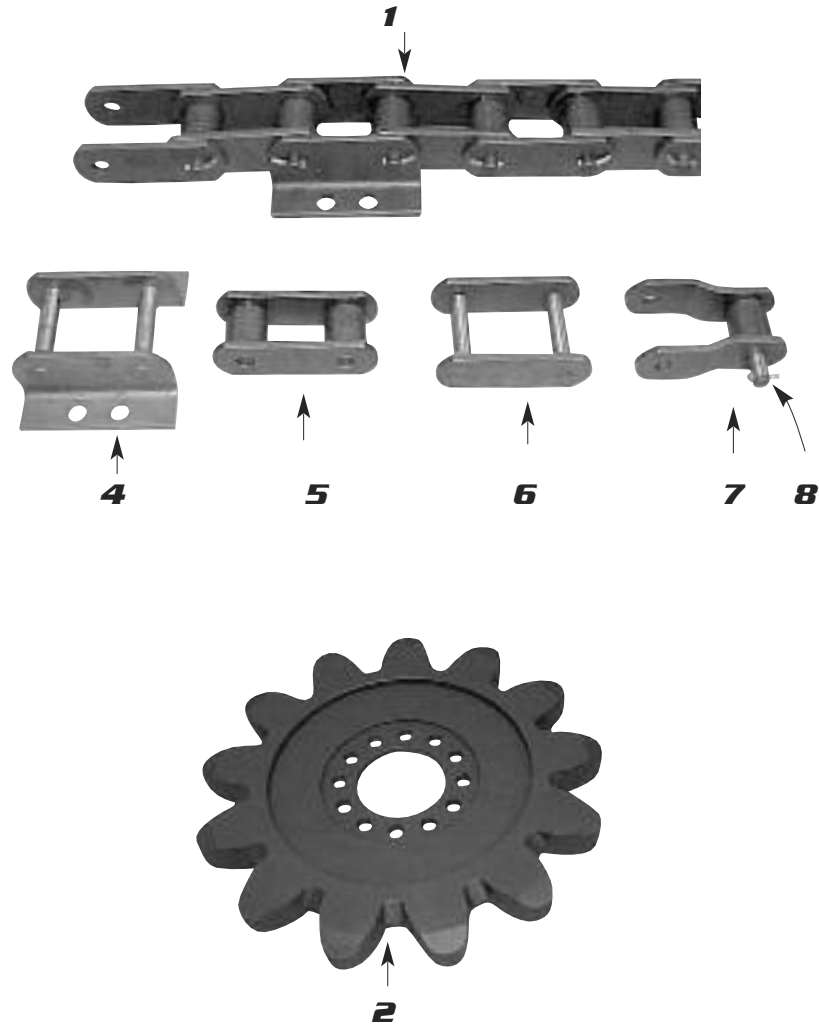
Note: 860 can use either 21 Flights or 23 Flights and corresponding chain



\* Not Shown

REF#	DESCRIPTION	PART #	QUANTITY REQ.	NOTES
1	Chain Set Heavy Duty	AT61351	1	Heavy Duty Replaces AT37818; 23 Flights
2*	Chain Set Sealed-Joint	AT74291	1	Sealed-Joint; 23 Flights
3	Flight	AT163233	23	Replaces AT51747
4*	Flight Bolt Kit	55447	1	
5*	Sprocket Bolt Kit	T74111BK	1	
6	Idler Roller Shell	T58511	4	
7	Idler Roller Bearing Kit	T58511BRK	4	
8	Idler Flange	U45654	2	
9*	Flange Bolt Kit	U45654BK	2	
10*	Center Blade	U43681	1	Old Style
11*	End Blade	U43682	2	Old Style
12	Sprocket 19T-Split (10 1/2" Bore)	T135639	2	Replaces T74111 Also for JD862B
13*	Chain Set for 860	AT3252OH	1	For 21 Flights
14*	Roller Assembly	T58511A	2	Includes: Seal, Bearing Kit, Cap, Gasket
<b>Chain Components (Heavy Duty)</b>				
15	Attaching Link RH	94-452	As Required	
16	Attaching Link LH	94-453	As Required	
17	Block Link	AT38947	As Required	
18	Connecting Link	AT38950	As Required	
19	Half Link RH	AT38948	As Required	
20	Half Link LH	AT38949	As Required	
21	Pin Assembly w/Keeper	T74063	As Required	
22*	Scraper Package	860	1	Package Components
		55447	1	Flight Bolt Kit
		AT3252OH	1	Chain Set - 21 Flights
		T135639	2	Sprocket
		T74111BK	1	Sprocket Bolt Kit
23*	Scraper Package	860A	1	Package Components
		55447	1	Flight Bolt Kit
		AT61351	1	Chain Set
		T135639	2	Sprocket
		T74111BK	1	Sprocket Bolt Kit
24*	Scraper Package	860B	1	Package Components
		55447	1	Flight Bolt Kit
		AT61351	1	Chain Set
		T135639	2	Sprocket
		T74111BK	1	Sprocket Bolt Kit
25*	Scraper Package	862	1	Package Components
		55447	1	Flight Bolt Kit
		AT61351	1	Chain Set
		T135639	2	Sprocket
		T74111BK	1	Sprocket Bolt Kit
26*	Scraper Package	862SEAL	1	Package Components
		55447	1	Flight Bolt Kit
		AT74291	1	JD 862Chain Set
		T135639	2	Sprocket
		T74111BK	1	Sprocket Bolt Kit

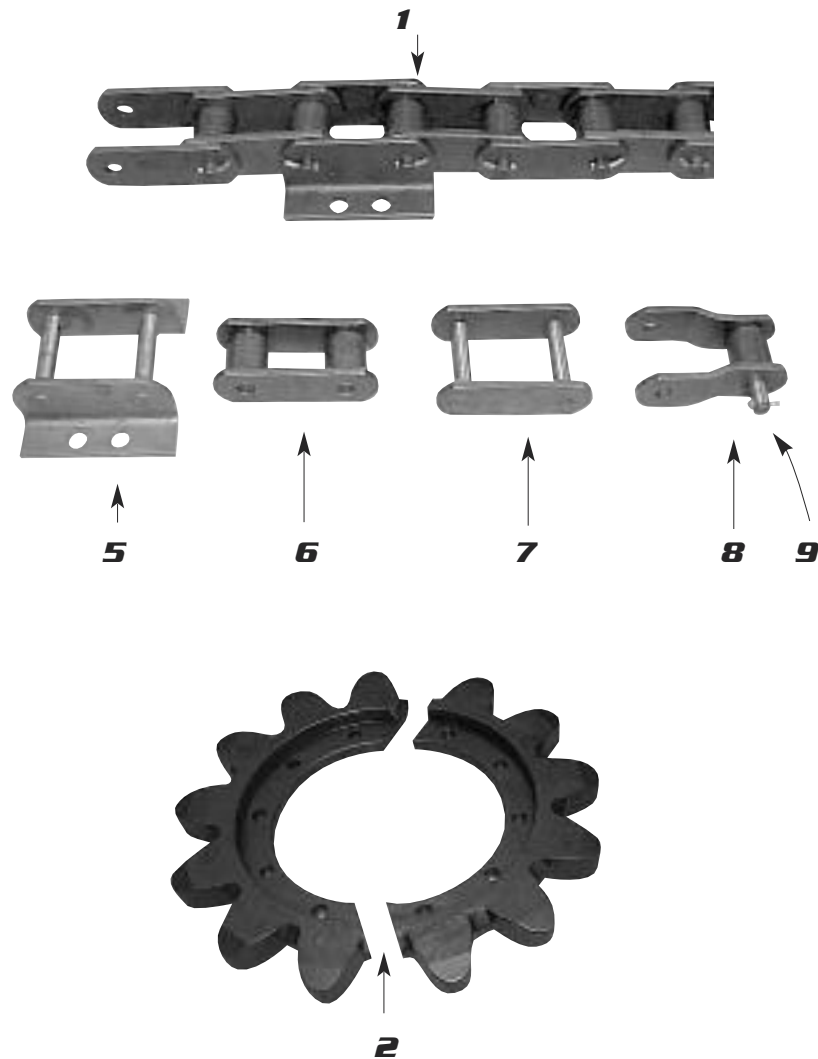
# REPLACEMENT PARTS FOR CLARK® 110-HT, 110-HTB, 294 HANCOCK®



**\* Not Shown**

REF. #	DESCRIPTION	PART #	QUANTITY REQ.	NOTES
<b>1</b>	Chain Set	1575212H	1	
<b>2</b>	Sprocket	1568394	2	
<b>3 *</b>	Flight Bolt Kit	55425	1	
<b>Chain Components</b>				
<b>4</b>	Attaching Link	1569541	As Required	
<b>5</b>	Block Link	1569540	As Required	
<b>6</b>	Connecting Link	1569539	As Required	
<b>7</b>	Half Link	1566477	As Required	
<b>8</b>	Pin Assembly w/Keeper	1576902	As Required	

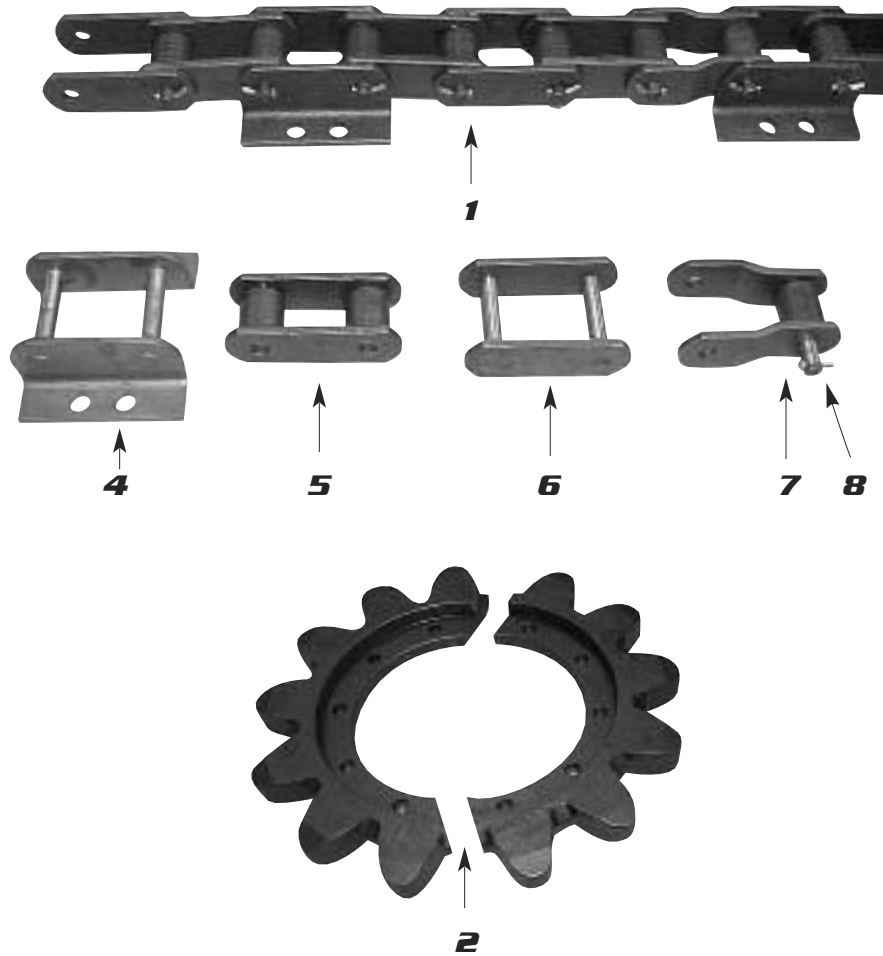
# REPLACEMENT PARTS FOR CLARK® 210-H



**\* Not Shown**

REF. #	DESCRIPTION	PART #	QUANTITY REQ.	NOTES
<b>1</b>	Chain Set	1574493	1	
<b>2</b>	Sprocket	1560411	2	
<b>3 *</b>	Flight Bolt Kit	55428	1	
<b>4 *</b>	Spindles – Lower Stub	1560099		
<b>Heavy Duty Chain Components</b>				
<b>5</b>	Attaching Link	1569541	As Required	
<b>6</b>	Block Link	1569540	As Required	
<b>7</b>	Connecting Link	1569539	As Required	
<b>8</b>	Half Link	1566477	As Required	
<b>9</b>	Pin Assembly w/Keeper	1576902	As Required	

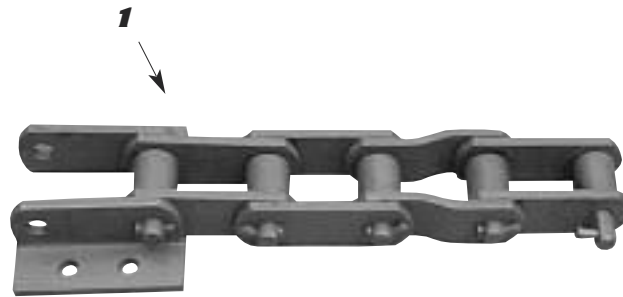
# REPLACEMENT PARTS FOR CLARK® 210-HB



**\* Not Shown**

REF. #	DESCRIPTION	PART #	QUANTITY REQ.	NOTES
<b>1</b>	Chain Set	1582853	1	
<b>2</b>	Sprocket	1560411	2	
<b>3 *</b>	Flight Bolt Kit	55428	1	
<b>Chain Components</b>				
<b>4</b>	Attaching Link	1569541	As Required	
<b>5</b>	Block Link	1569855	As Required	
<b>6</b>	Connecting Link	1569539	As Required	
<b>7</b>	Half Link	1569477	As Required	
<b>8</b>	Pin Assembly w/Keeper		As Required	

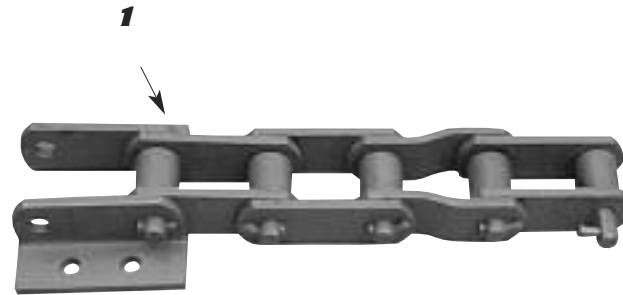
# REPLACEMENT PARTS FOR CLARK-MICHIGAN® 110, 310H



**\* Not Shown**

REF. #	DESCRIPTION	PART #	QUANTITY REQ.	NOTES
<b>MODEL 110-9</b>				
<b>1</b>	Chain Strand	1574835	2	15 Flights
<b>2 *</b>	Sprocket	1573286	2	
<b>MODEL 110-11</b>				
<b>1</b>	Chain Strand	1574835	2	15 Flights
<b>2 *</b>	Chain Strand	1579766	2	15 Flights
<b>3 *</b>	Sprocket	1560940	2	
<b>MODEL 110-11B</b>				
<b>1 *</b>	Chain Strand	1564790	2	16 Flights
<b>2 *</b>	Sprocket	1573286	2	
<b>3 *</b>	Flight	1579008	16	
<b>MODEL 110-12, 110-14</b>				
<b>1 *</b>	Chain Strand	1580776	2	17 Flights
<b>2 *</b>	Sprocket	1560940	2	
<b>MODEL 110-15</b>				
<b>1 *</b>	Chain Set	1576041H	1	18 Flights
<b>2 *</b>	Sprocket	1573286	2	
<b>MODEL 310H</b>				
<b>1 *</b>	Chain Set	1580895	1	
<b>2 *</b>	Sprocket	1560618	2	

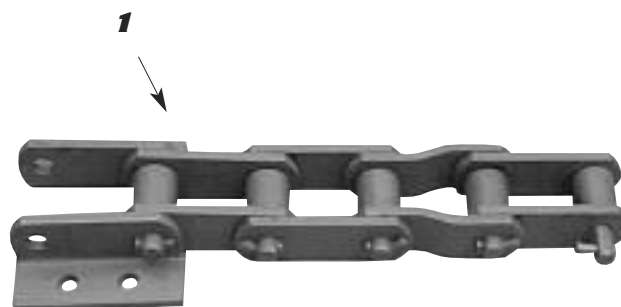
# REPLACEMENT PARTS FOR HANCOCK® 4R2, 5N, 8N, HF6, 7E2, 7E4, 8E2FWD, 8E2MRS, 10E2, 11E4



**\* Not Shown**

REF. #	DESCRIPTION	PART #	QUANTITY REQ.	NOTES
<b>MODEL 4R2</b>				
<b>1</b>	Chain	1580771		11 Flights
<b>2 *</b>	Sprocket - Drive Weld On	1562383	2	
<b>MODEL 5N &amp; 8N</b>				
<b>1 *</b>	Chain Set	1580772	1	16 Flights
<b>MODEL HF6</b>				
<b>1 *</b>	Chain Strand	1580773	2	13 Flights
<b>2 *</b>	Sprocket - Drive Weld On	1562383	2	
<b>MODEL 7E2, 7E4</b>				
<b>1 *</b>	Chain Set	1580772	1	16 Flights
<b>2 *</b>	Chain	1580728		Superseded by 1580772
<b>3 *</b>	Chain Strand	1580773	2	13 Flights
<b>4 *</b>	Sprocket - Drive Weld On	1562383	2	
<b>MODEL 8E2FWD, 8E2MRS</b>				
<b>1 *</b>	Chain Set	1580774	1	14 Flights
<b>MODEL 10E2</b>				
<b>1 *</b>	Chain Strand	1580775	2	16 Flights
<b>2 *</b>	Spindles – Lower Stub	1560099		
<b>MODEL 11E4</b>				
<b>1 *</b>	Chain Strand	1579766	2	15 Flights
<b>2 *</b>	Sprocket – Drive Weld On	1560940	2	

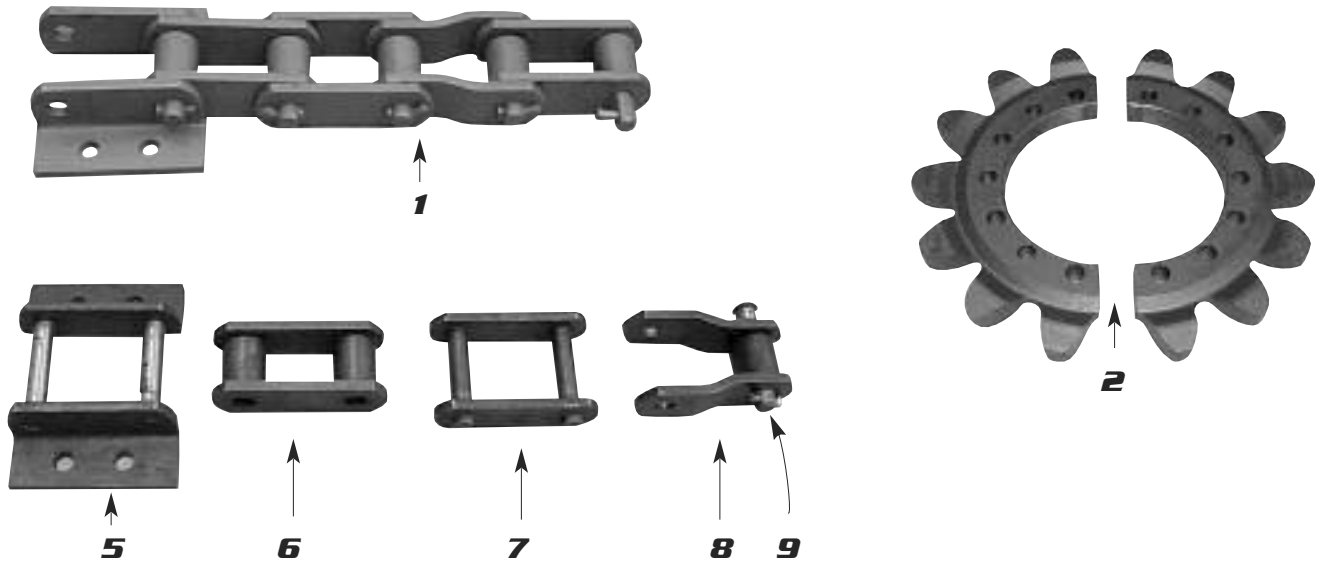
# REPLACEMENT PARTS FOR HANCOCK® 12E, 14E, 218E, 222, 223, 224, 292, 294



**\* Not Shown**

REF. #	DESCRIPTION	PART #	QUANTITY REQ.	NOTES
<b>MODEL 12E4, 12E2E, 12EMRS, 12E4E</b>				
<b>1</b>	Chain Strand	1580776	2	17 Flights
<b>2 *</b>	Sprocket - Drive Weld On	1562383	2	
<b>MODEL 12E2M, 14E2M, 14EA</b>				
<b>1</b>	Chain Strand	1580776	2	17 Flights
<b>MODEL 218E, 223, 224</b>				
<b>1 *</b>	Chain Set	1574493	1	18 Flights
<b>2 *</b>	Sprocket - Drive	1560411	2	
<b>MODEL 222</b>				
<b>1 *</b>	Chain	1580892		17 Flights
<b>2 *</b>	Sprocket - Drive	1560411	2	
<b>MODEL 292, 292B, 292C</b>				
<b>1 *</b>	Chain	1579766		15 Flights
<b>2 *</b>	Sprocket - Drive	1560940	2	
<b>3 *</b>	Flight Bolt Kit	55404	1	
<b>MODEL 292E</b>				
<b>1 *</b>	Chain Strand	1580775	2	16 Flights
<b>MODEL 294</b>				
<b>1 *</b>	Chain	1571642		16 Flights

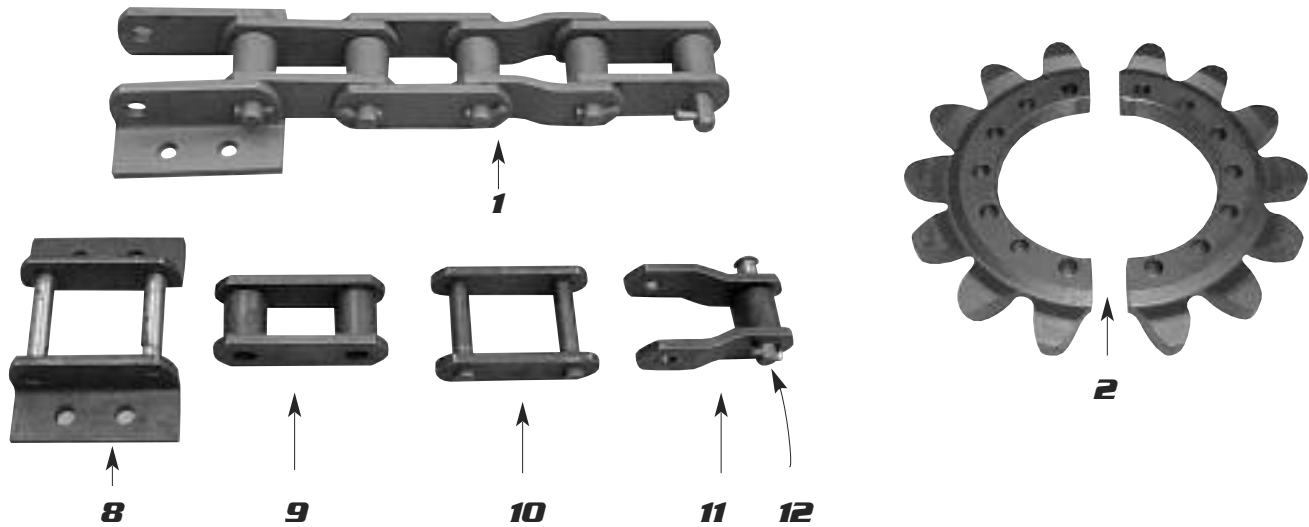
# REPLACEMENT PARTS FOR IH® E-200 (EARLY)



**\* Not Shown**

REF. #	DESCRIPTION	PART #	QUANTITY REQ.	NOTES
<b>1</b>	Chain Strand	615102C91	2	
<b>2</b>	Sprocket	613379C1	2	
<b>3 *</b>	Flight Bolt Kit	55402	1	
<b>4 *</b>	Sprocket Bolt Kit	613379C1BK	1	
<b>Chain Components</b>				
<b>5</b>	Attaching Link	615190C1	As Required	
<b>6</b>	Block Link	615193C1	As Required	
<b>7</b>	Connecting Link	625804C91	As Required	
<b>8</b>	Half Link	615192C1	As Required	
<b>9</b>	Pin Assembly w/Keeper	615191C1	As Required	
<b>10 *</b>	<b>Scraper Package</b>	E200	1	Package Components
		55402	1	Flight Bolt Kit
		615102C91	2	Chain Strand
		613379C1	2	Sprocket
		613379C1BK	1	Sprocket Bolt Kit
<b>11 *</b>	<b>Scraper Package</b>	E200EARLY	1	Package Components
		55404	1	Flight Bolt Kit
		623453C91	2	Chain Strand
		613379C1	2	Sprocket
		613379C1BK	1	Sprocket Bolt Kit
<b>12 *</b>	<b>Scraper Package</b>	E200LATE	1	Package Components
		55404	1	Flight Bolt Kit
		623453C91	2	Chain Strand
		613379C1	2	Sprocket
		613379C1BK	1	Sprocket Bolt Kit

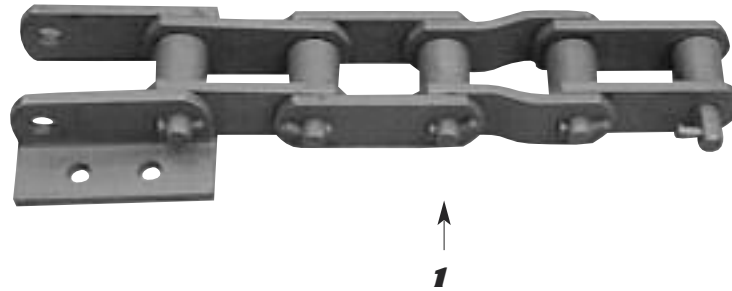
# REPLACEMENT PARTS FOR IH® E-200 (LATE), E-211, 412B



**\* Not Shown**

REF. #	DESCRIPTION	PART #	QUANTITY REQ.	NOTES
<b>1</b>	Chain Strand	623453C91	2	
<b>2</b>	Sprocket	613379C1	2	
<b>3 *</b>	Flight Bolt Kit	55404	1	
<b>4 *</b>	Sprocket Bolt Kit	613379C1BK	1	
<b>5 *</b>	Cutting Edges - End Blades	626013C1		
<b>6 *</b>	Cutting Edges - Center	626012C1		
<b>7 *</b>	Cutting Edges - Router	613353C1		
	<b>Chain Components</b>			
<b>8</b>	Attaching Link	615190C1	As Required	
<b>9</b>	Block Link	615193C1	As Required	
<b>10</b>	Connecting Link	625804C91	As Required	
<b>11</b>	Half Link	615192C1	As Required	
<b>12</b>	Pin Assembly w/Keeper	615191C1	As Required	
<b>13 *</b>	<b>Scraper Package</b>	E211	1	Package Components
		55404	1	Flight Bolt Kit
		623453C91	2	Chain Strand
		613379C1	2	Sprocket
		613379C1BK	1	Sprocket Bolt Kit
<b>14 *</b>	<b>Scraper Package</b>	412	1	Package Components
		55404	1	Flight Bolt Kit
		623453C91	2	Chain Strand
		613379C1	2	Sprocket
		613379C1BK	1	Sprocket Bolt Kit
<b>15 *</b>	<b>Scraper Package</b>	412B	1	Package Components
		55402	1	Flight Bolt Kit
		623453C91	2	Chain Strand
		613379C1	2	Sprocket
		613379C1BK	1	Sprocket Bolt Kit

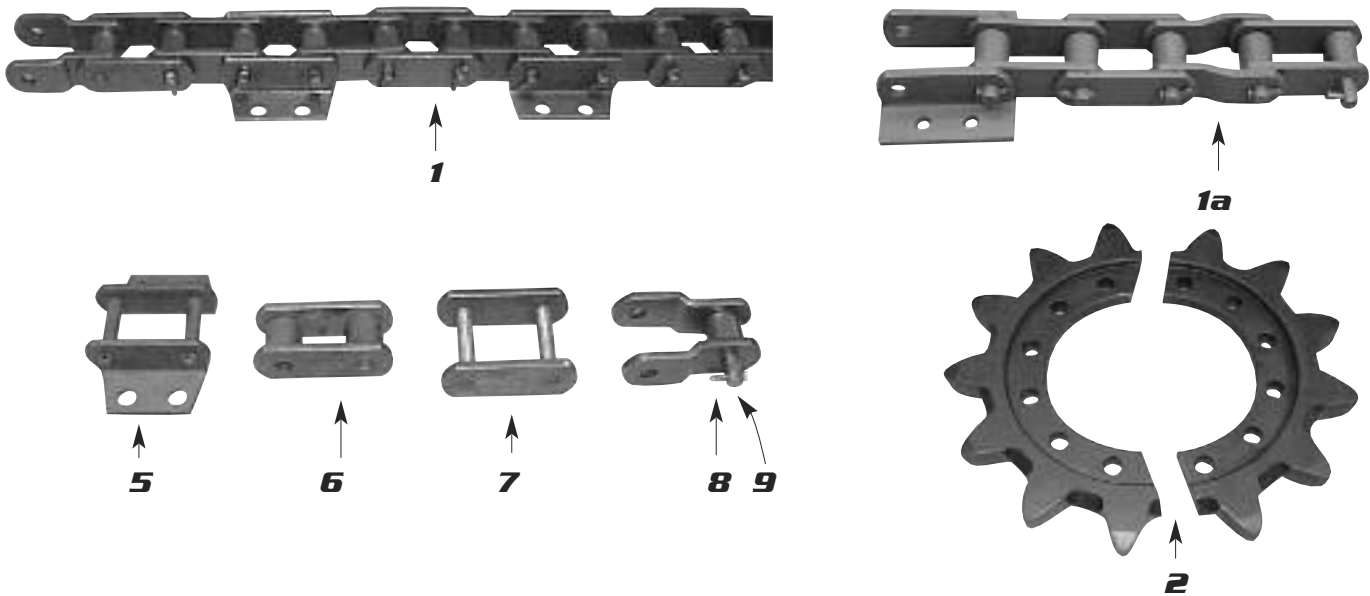
# REPLACEMENT PARTS FOR IH® E270, E295, E442, E444



**\* Not Shown**

REF. #	DESCRIPTION	PART #	QUANTITY REQ.	NOTES
<b>MODEL E270</b>				
<b>1</b>	Chain Strand	610129C91	2	17 Flights
<b>MODEL E295</b>				
<b>1 *</b>	Chain Strand	700632C91	2	21 Flights
<b>2 *</b>	Sprocket	614940C1	2	
<b>MODEL E442</b>				
<b>1 *</b>	Chain Strand	640027C91	2	18 Flights
<b>MODEL E444</b>				
<b>1 *</b>	Chain Strand	641450C91	2	16 Flights
<b>2 *</b>	Sprocket	614940C1	2	
<b>3 *</b>	Cutting Edges - End Blades	626013C1		
<b>4 *</b>	Cutting Edges - Center	626012C1		
<b>5 *</b>	Cutting Edges - Router	613353C1		

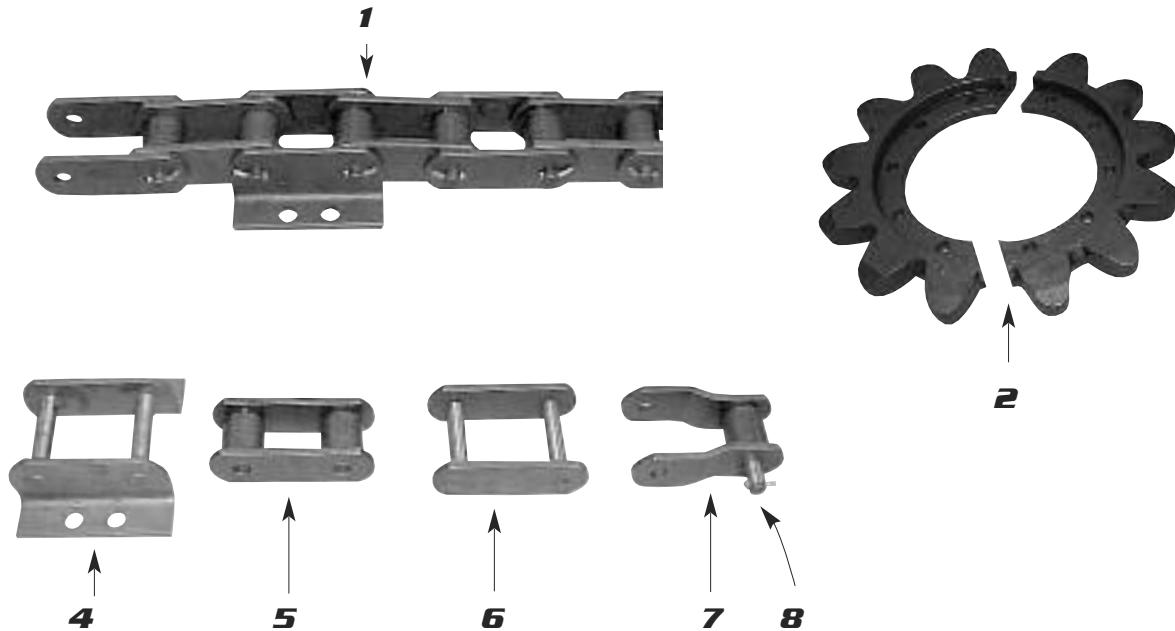
# REPLACEMENT PARTS FOR FIAT ALLIS® AC160, 161, AC260, 260E, 260E-A



**\* Not Shown**

REF. #	DESCRIPTION	PART #	QUANTITY REQ.	NOTES
<b>MODEL 161</b>				
<b>1</b>	Chain Set	73118519	1	
<b>2</b>	Sprocket - Drive	70685224	2	
<b>3 *</b>	Flight Bolt Kit	55430	1	
<b>4 *</b>	Sprocket Bolt Kit	70685224BK	1	
<b>Heavy Duty Chain Components</b>				
<b>5</b>	Attaching Link	73118522	As Required	
<b>6</b>	Block Link	73118521	As Required	
<b>7</b>	Connecting Link	73118520	As Required	
<b>8</b>	Half Link	73118523	As Required	
<b>9</b>	Pin Assembly w/Keeper	73687041	As Required	
<b>MODEL AC160</b>				
<b>1a</b>	Chain Set	1580776	1	17 Flights
<b>MODEL AC260 - 260E</b>				
<b>1a *</b>	Chain Set	1574493	1	18 Flights
<b>2 *</b>	Sprocket - Drive	1560411	2	
<b>MODEL 260 E-A</b>				
<b>1a *</b>	Chain Set	73109395	1	18 Flights
<b>2 *</b>	Chain Set	73104925	1	18 Flights
<b>3 *</b>	Sprocket - Drive	70679493	2	

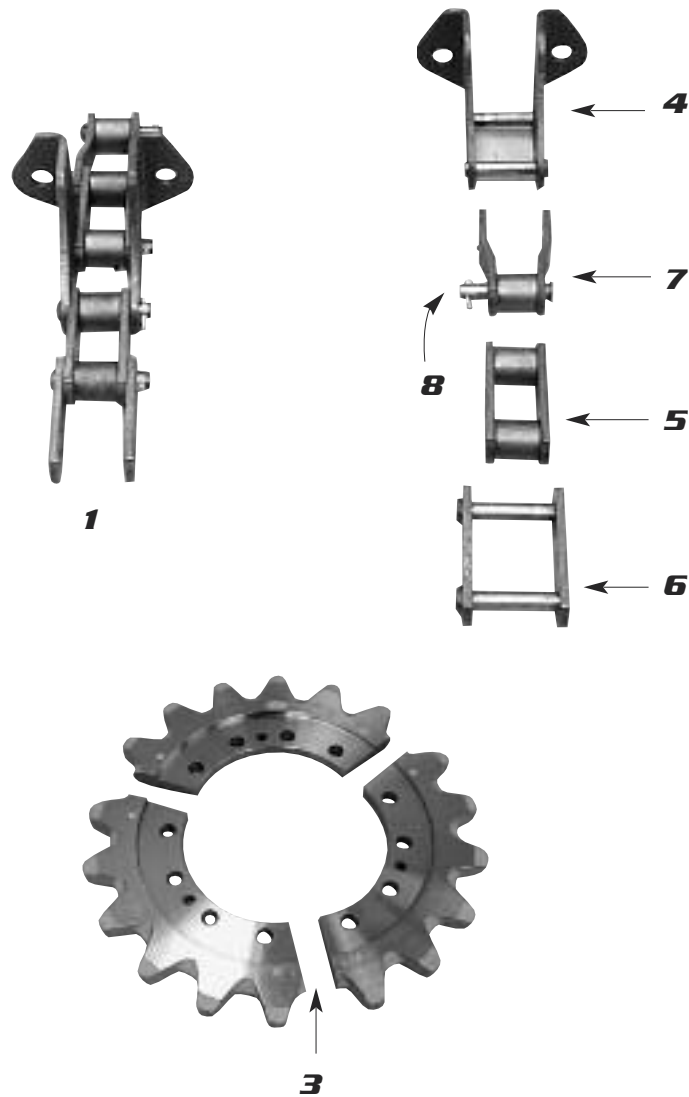
# REPLACEMENT PARTS FOR FIAT ALLIS® 261, 261B, 263B



**\* Not Shown**

REF. #	DESCRIPTION	PART #	QUANTITY REQ.	NOTES
<b>MODEL 261, 263B</b>				
<b>1</b>	Chain Set	73109395	1	
<b>2</b>	Sprocket	70679493	2	
<b>3 *</b>	Flight Bolt Kit	55428	1	
<b>Chain Components</b>				
<b>4</b>	Attaching Link	73109393	As Required	
<b>5</b>	Block Link	73109388	As Required	
<b>6</b>	Connecting Link	73109389	As Required	
<b>7</b>	Half Link	73109394	As Required	
<b>8</b>	Pin Assembly w/Keeper	73105195	As Required	
<b>MODEL 261B</b>				
<b>1</b>	Chain Set	73109395	1	18 Flights
<b>2</b>	Sprocket - Drive	70679493	2	
<b>MODEL 260E, 261B, &amp; 263B</b>				
<b>1 *</b>	Cutting Edges - Center Blade	70198487		

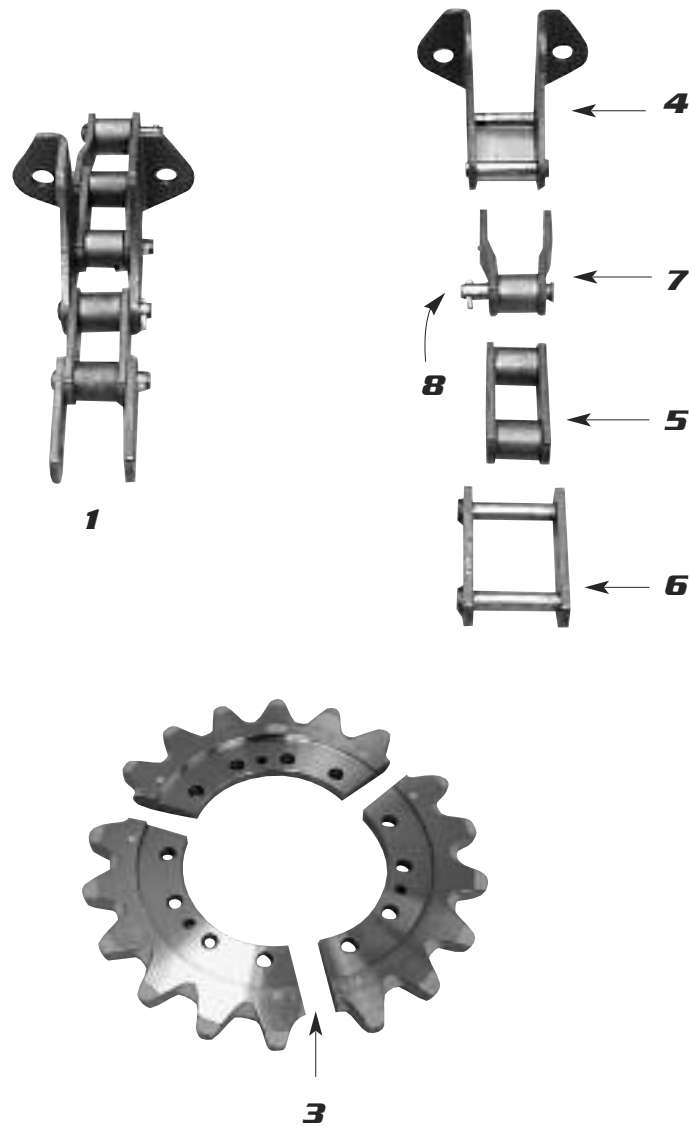
# REPLACEMENT PARTS FOR WABCO® 101F



**\* Not Shown**

REF. #	DESCRIPTION	PART #	QUANTITY REQ.	NOTES
<b>1</b>	Chain Strand	PB0900	2	
<b>2 *</b>	Flight Bolt Kit	55452	1	
<b>3</b>	Sprocket	DB1245	2	
<b>Chain Components</b>				
<b>4</b>	Attaching Link	VY0511	As Required	
<b>5</b>	Block Link	VN3705	As Required	
<b>6</b>	Connecting Link	VN3703	As Required	
<b>7</b>	Half Link	VN3706	As Required	
<b>8</b>	Pin Assembly w/Keeper	VS0501	As Required	

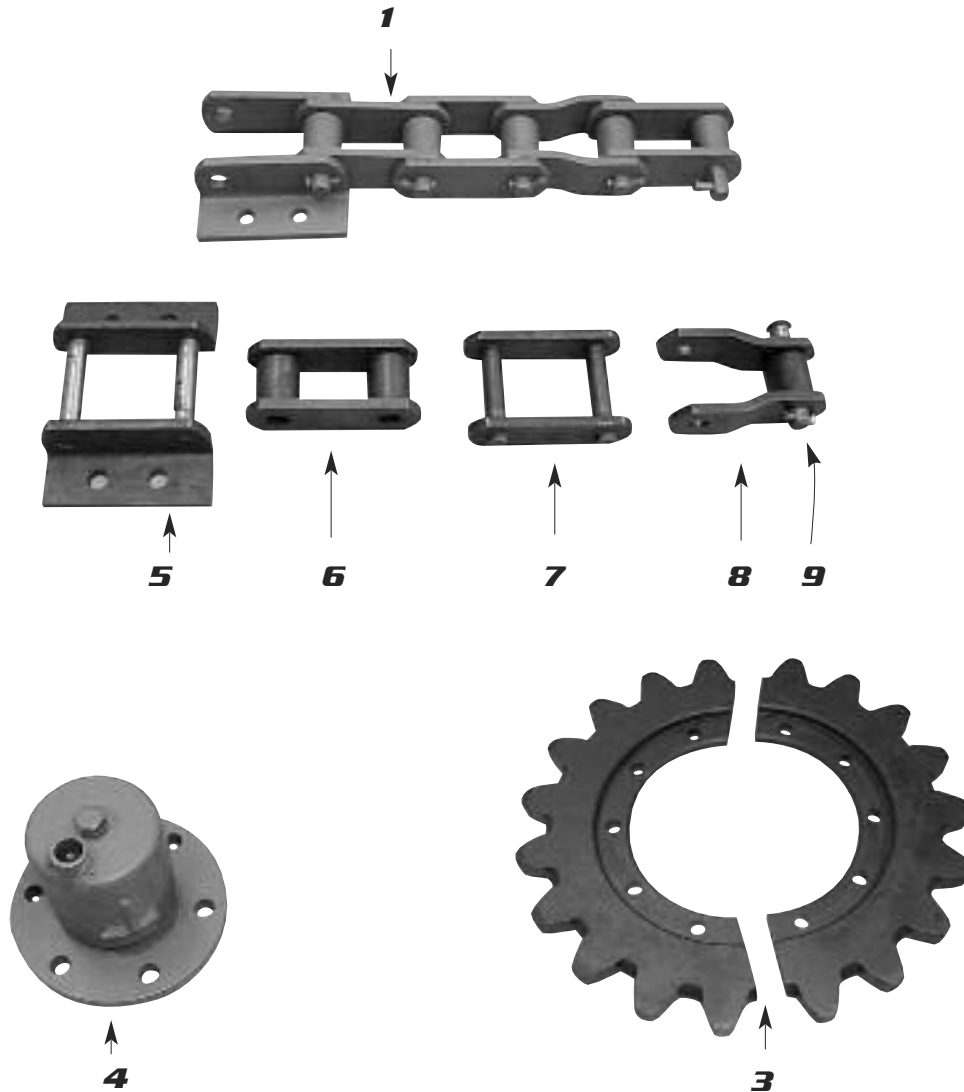
# REPLACEMENT PARTS FOR WABCO® 101G



**\* Not Shown**

REF. #	DESCRIPTION	PART #	QUANTITY REQ.	NOTES
<b>1</b>	Chain Strand	PB2986	2	
<b>2 *</b>	Flight Bolt Kit	55452	1	
<b>3</b>	Sprocket	DB1245	2	
<b>Chain Components</b>				
<b>4</b>	Attaching Link	VY0511	As Required	
<b>5</b>	Block Link	VN3705	As Required	
<b>6</b>	Connecting Link	VN3703	As Required	
<b>7</b>	Half Link	VN3706	As Required	
<b>8</b>	Pin Assembly w/Keeper	VS0501	As Required	

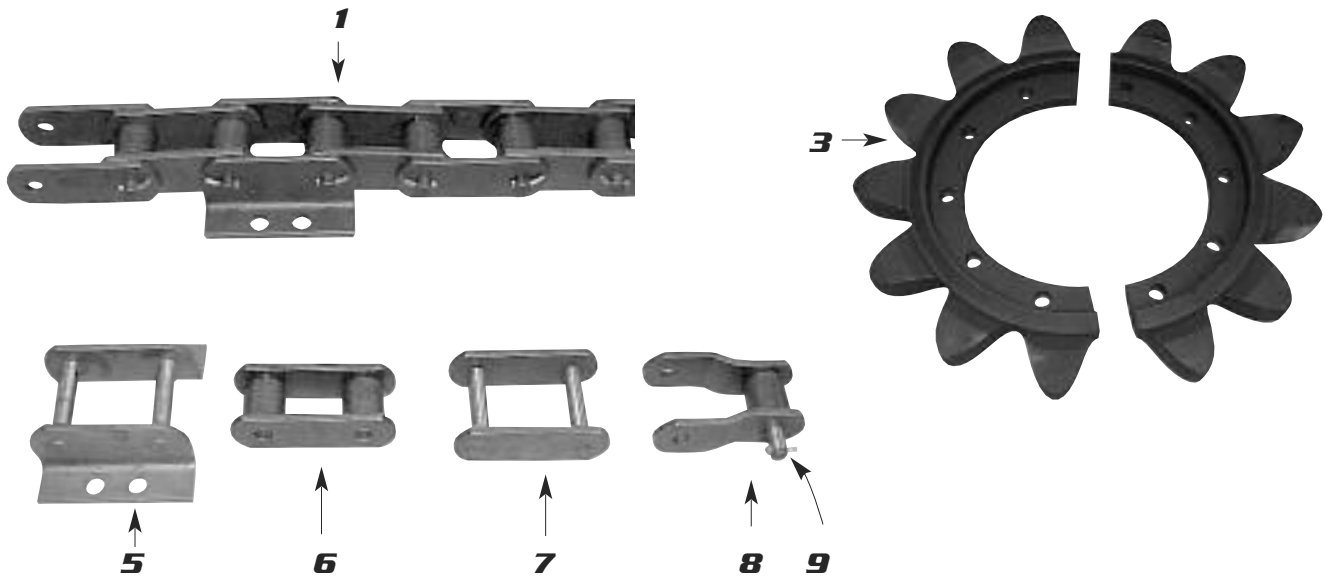
# REPLACEMENT PARTS FOR WABCO® 111A



**\* Not Shown**

REF. #	DESCRIPTION	PART #	QUANTITY REQ.	NOTES
<b>1</b>	Chain Strand	VM8496H	2	
<b>2 *</b>	Flight Bolt Kit	55404	1	
<b>3</b>	Sprocket	DB1244	2	
<b>4</b>	Lower Stub Spindle	VM8499	4	74-411
<b>Chain Components</b>				
<b>5</b>	Attaching Link	VY0511	As Required	
<b>6</b>	Block Link	VN3705	As Required	
<b>7</b>	Connecting Link	VN3703	As Required	
<b>8</b>	Half Link	VN3706	As Required	
<b>9</b>	Pin Assembly w/Keeper	VS0501	As Required	

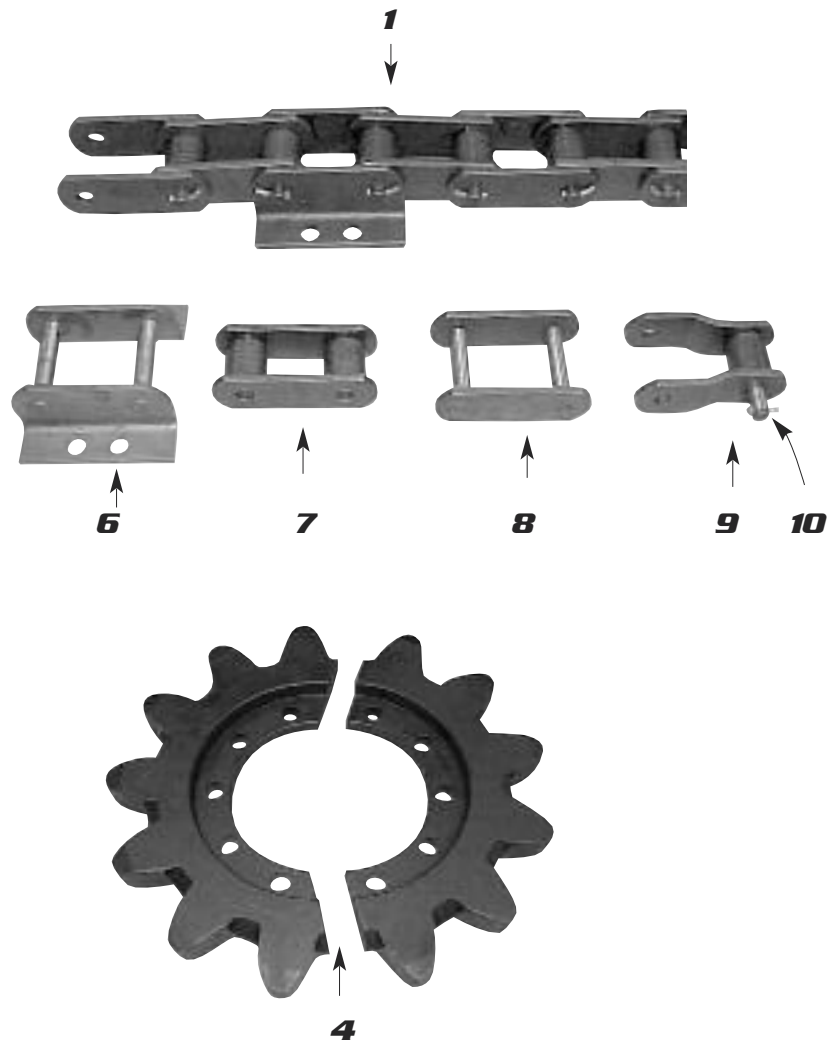
# REPLACEMENT PARTS FOR WABCO® 222, 222A



**\* Not Shown**

REF. #	DESCRIPTION	PART #	QUANTITY REQ.	NOTES
<b>MODEL 222</b>				
<b>1</b>	Chain Strand	PB1770	2	
<b>2 *</b>	Chain Strand	VL1112	2	17 Flights
<b>3</b>	Sprocket	DK5127	2	
<b>4 *</b>	Flight Bolt Kit	55426	1	
<b>Chain Components</b>				
<b>5</b>	Attaching Link	VJ3589	As Required	
<b>6</b>	Block Link	PB1516	As Required	
<b>7</b>	Connecting Link	VJ3587	As Required	
<b>8</b>	Half Link	PB1602	As Required	
<b>9</b>	Pin Assembly w/Keeper	C2RX1A3	As Required	
<b>MODEL 222A - SN CM9 &amp; UP</b>				
<b>1</b>	Chain Strand	PB1770	2	17 Flights
<b>2 *</b>	Cutting Edges - Left or Right End Blade	VM1362		
<b>3</b>	Sprocket - Drive	DK5127	2	
<b>MODEL 222A - SN CM10 &amp; UP</b>				
<b>1 *</b>	Chain Strand	PB1771	2	17 Flights
<b>2 *</b>	Cutting Edges - Left or Right End Blade	VM1362		
<b>3</b>	Sprocket - Drive	DK5127	2	

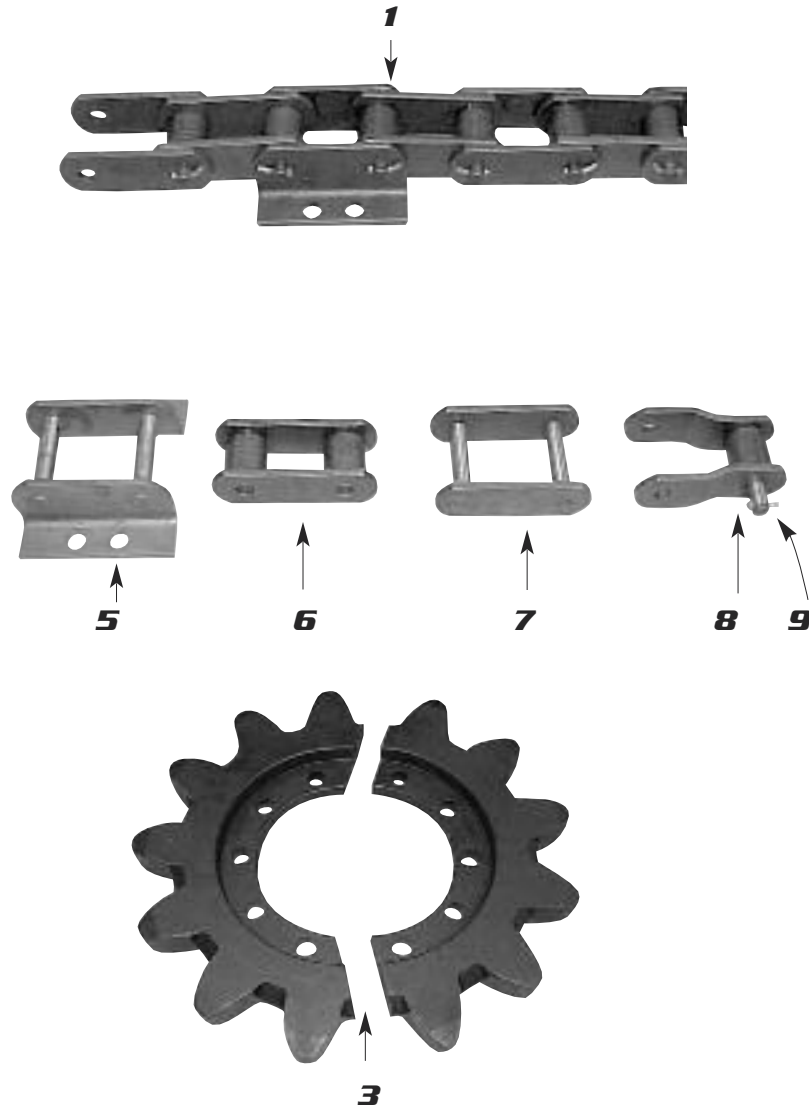
# REPLACEMENT PARTS FOR WABCO® 222F, 222F - SN CM14 & UP



**\* Not Shown**

REF. #	DESCRIPTION	PART #	QUANTITY REQ.	NOTES
<b>1</b>	Chain Strand	PB1771	2	
<b>2 *</b>	Chain Strand	VY9470	2	19 Flights
<b>3 *</b>	Flight Bolt Kit	55426	1	
<b>4</b>	Sprocket	DB1246	2	
<b>5 *</b>	Sprocket - Drive	VY6182	2	Superseded by DB1246
<b>Chain Components</b>				
<b>6</b>	Attaching Link	VJ3589	As Required	
<b>7</b>	Block Link	PB1516	As Required	
<b>8</b>	Connecting Link	VJ3587	As Required	
<b>9</b>	Half Link	PB1602	As Required	
<b>10</b>	Pin Assembly w/Keeper	C2RX1A3	As Required	

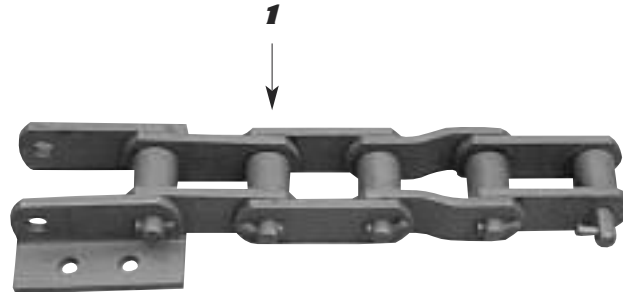
# REPLACEMENT PARTS FOR WABCO® 222G, 222H



**\* Not Shown**

REF. #	DESCRIPTION	PART #	QUANTITY REQ.	NOTES
<b>1</b>	Chain Strand	PB1518	2	19 Flights
<b>2 *</b>	Chain Strand	PB1915	2	19 Flights
<b>3</b>	Sprocket	DB1246	2	
<b>4 *</b>	Flight Bolt Kit	55429	1	
<b>Chain Components</b>				
<b>5</b>	Attaching Link	VJ3589	As Required	
<b>6</b>	Block Link	PB1516	As Required	
<b>7</b>	Connecting Link	VJ3587	As Required	
<b>8</b>	Half Link	PB1602	As Required	
<b>9</b>	Pin Assembly w/Keeper	C2RX1A3	As Required	

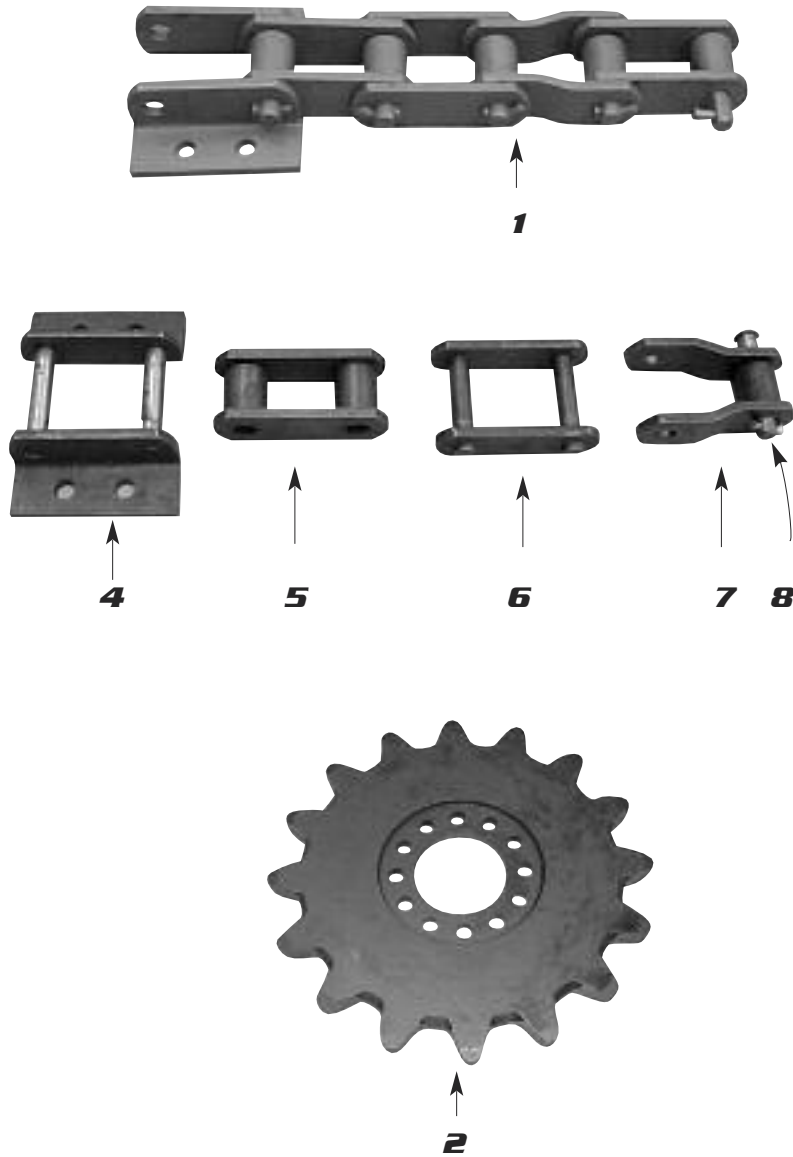
# REPLACEMENT PARTS FOR WABCO® 252, 333, 333A BM11 & Up, 333F, 333FT



**\* Not Shown**

REF. #	DESCRIPTION	PART #	QUANTITY REQ.	NOTES
<b>MODEL 333, 333A BM11 &amp; Up</b>				
<b>1</b>	Chain Strand	VL2582	2	19 Flights
<b>MODEL 333F</b>				
<b>1 *</b>	Chain Strand	DA3141	2	21 Flights
<b>2 *</b>	Chain Strand	DA4268	2	20 Flights
<b>3 *</b>	Chain Strand	PB1519	2	20 Flights
<b>4 *</b>	Chain Strand	VY5486	2	21 Flights
<b>5 *</b>	Chain Strand	VY5470	2	19 Flights
<b>MODEL 333FT</b>				
<b>1 *</b>	Chain Strand	DA1817	2	20 Flights
<b>2 *</b>	Chain Strand	DA1832	2	20 Flights
<b>3 *</b>	Chain Strand	DA7007	2	20 Flights
<b>4 *</b>	Chain Strand	PB1520	2	20 Flights
<b>5 *</b>	Chain Strand	VY7062	2	19 Flights
<b>MODEL 252</b>				
<b>1 *</b>	Cutting Edges - Left or Right End Blade	VM1362		

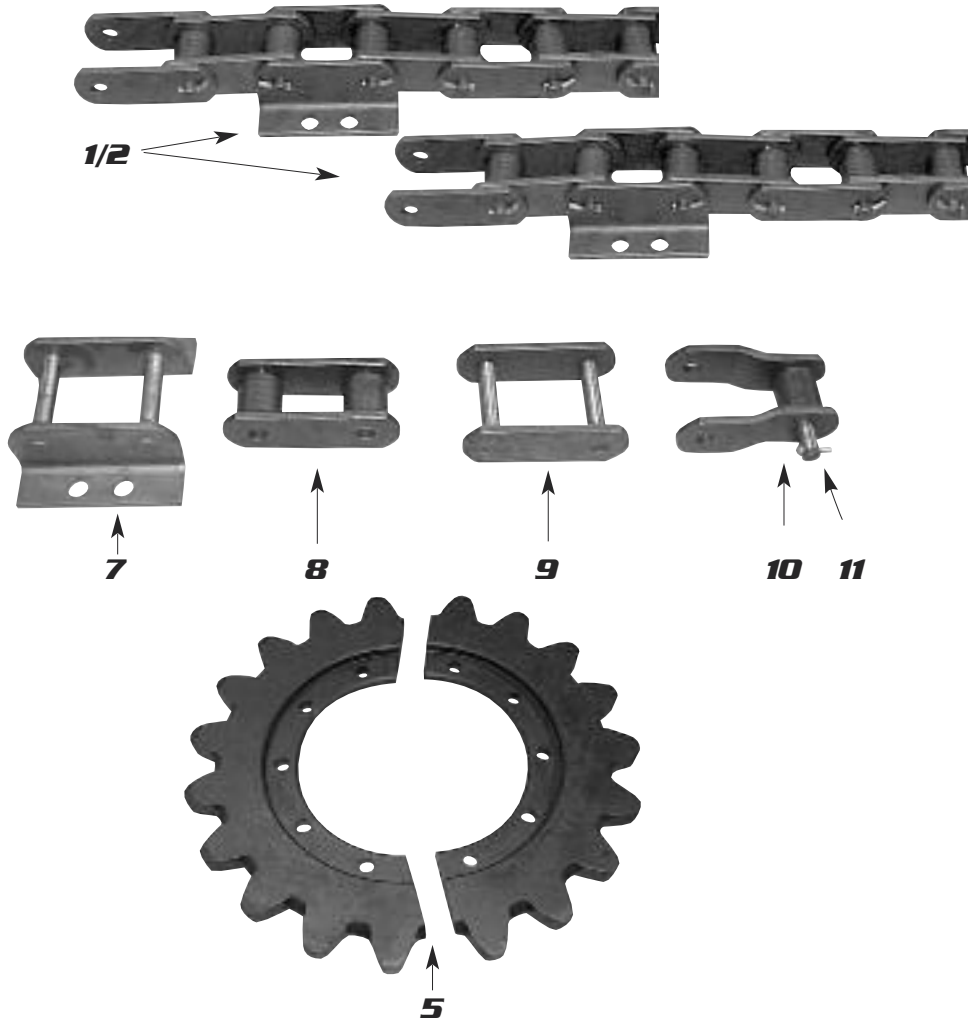
# REPLACEMENT PARTS FOR TEREX® S11E



**\* Not Shown**

REF. #	DESCRIPTION	PART #	QUANTITY REQ.	NOTES
<b>1</b>	Chain Set	9052481	1	
<b>2</b>	Sprocket	9037945	2	1560940
<b>3 *</b>	Flight Bolt Kit	55403	1	
<b>Chain Components</b>				
<b>4</b>	Attaching Link	9052487	As Required	
<b>5</b>	Block Link	9038061	As Required	
<b>6</b>	Connecting Link	9038060	As Required	
<b>7</b>	Half Link	9052485	As Required	
<b>8</b>	Pin Assembly w/Keeper	9052482	As Required	

# REPLACEMENT PARTS FOR TEREX® S23E



**\* Not Shown**

REF.#	DESCRIPTION	PART #	QUANTITY REQ.	NOTES
<b>1</b>	Chain Set	9039497	1	18 Flights
<b>2</b>	Chain Set	9053510	1	15 Flights
<b>3 *</b>	Flight Bolt Kit	55424	1	15 Flights
<b>4 *</b>	Flight Bolt Kit	55428	1	18 Flights
<b>5</b>	Sprocket	9039395	2	
<b>6 *</b>	Spindle Upper Assembly	9039398	As Required	
<b>Chain Components</b>				
<b>7</b>	Attaching Link	94836	As Required	
<b>8</b>	Block Link	94834	As Required	
<b>9</b>	Connecting Link	94835	As Required	
<b>10</b>	Half Link	94837	As Required	
<b>11</b>	Pin Assembly w/Keeper	94838	As Required	

# REPLACEMENT CAT® SCRAPER ROLLERS



PART #	DESCRIPTION	OLD PART #	LOCATION	MACHINE
144-7289	Roller: Ejector Guide	123-5135	A	621E, 627E, 631E, 637E, 637G
144-7299	Roller: Ejector Carrier	123-5134	B	611, 615, 621E, 623F, 623G, 627E, 633E
3J-4779	Roller: Ejector Guide	N/A	A	621, 621B, 621E, 627/B, 630, 631C, 631D, 637, 637D, 641, 657, 666
144-7293	Roller: Ejector	4T-0669	C	621E, 623F, 623G, 627E
144-7314	Roller: Ejector Carrier	8W-4732	B	631E, 631G, 633E, 637E, 637G
144-7321	Roller: Ejector Carrier	8W-4731	B	637E, 637G, 651E, 657E
144-7318	Roller: Ejector	8W-2033	C	631E, 631G, 633E, 637E, 637G
8I-2307	Roller: Ejector	N/A	C	623G
9J-5972	Roller: Ejector	N/A	C	621, 627B, 627E

